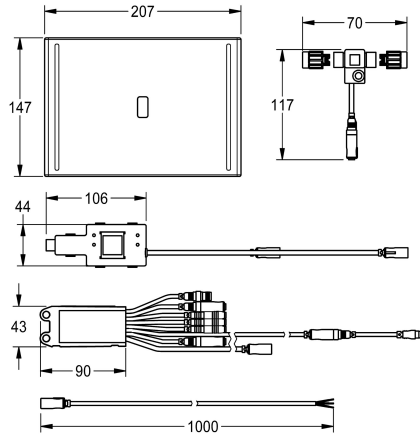
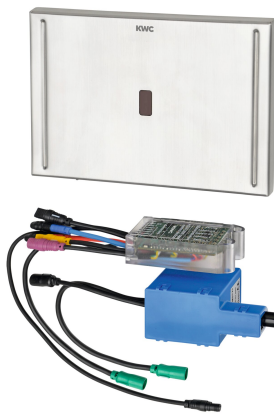


KWC

EXOS. - A3000 open electronic WC controller for cistern

Modell-Linie: EXOS | EXOS0027

Spolssystem | Elektroniska WC-spolningssystem



KWC-No.

2030036621

EXOS. - A3000 open electronic WC controller for cistern

EXOS - A3000 open opto-electronic WC control for concealed toilet cistern. With option for external controlling options such as fittings settings and communication via ECC function controller or optional, bidirectional remote control.

With waterproof electronic module with additional input for sensors to be provided by the client no more than 5 m away (e.g. support

grips for disabled persons), low voltage motor, waterproof electric T-junction for connecting to system cable, mounting bracket and stainless steel cover plate with sensors and concealed screw fastening. Activated water hygiene flushing 24 hours after last activation and saving of statistical data. Separate power supply 24 V DC via AQUA 3000 open system accessories.

Technical Data

ATT-WS-BUILTINMODEL

ATT-WS-COVERHEIGHT

ATT-WS-COVERWIDTH

Standard automatisk hygien spolning

Funktionell princip

Material hölje

materialkod hölje

Material delar

Total höjd

Total bredd

ATT-WS-PARAMETERIZATION

Kraft försörjnings anslutning

Kraft förbrukning

ATT-WS-POWTYPE

Skydds system IP

Ytfinish hölje

ATT-WS-TRANSFORMER

typ av spolssystem

Typ av operation

Typ av sensor

FINISHING

147 mm

207 mm

24 timmar efter den senaste operationen

Elektronisk självstängande

Rostfritt stål

1.4301

Syntetisk

147 mm

207 mm

NETWORK

24 V dc

4 Voltampere

TRANSFORMER

IP68

Borstad

Nej

För WC system

Sensor styrning

Utan elektronisk sensor



Nödvändiga tillbehör

KWC

EXOS. - A3000 open electronic WC controller for cistern

Modell-Linie: EXOS | EXOS0027

Spolssystem | Elektroniska WC-spolningssystem



AQUAFIX installation frame for WC pan, with wall-installation cistern

2030020126
AQFX0006



AQUAFIX installation frame for WC pan, barrier-free, with wall-installation cistern

2030020128
AQFX0007



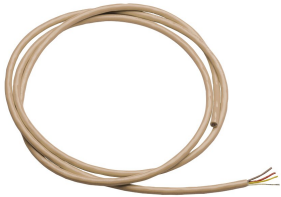
ECC2 function controller

2000108123
ZA3OP0011



ECC2 function controller

2030016282
ZA3OP0022



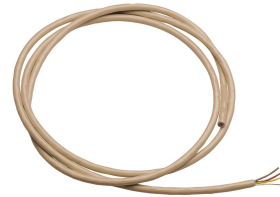
System-kabel

2000100801
ZAQUA077



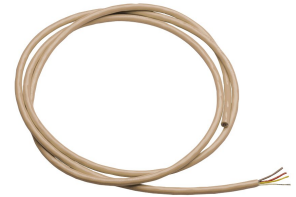
System-kabel

2000100852
ZAQUA078



System-kabel

2000104272
ZAQUA011



System-kabel

2000104274
ZAQUA012

Extratillbehör



Bidirectional remote control for electrical fittings F3 and F5

2030036654
ACEX9005

Reservdelar

KWC

EXOS. - A3000 open electronic WC controller for cistern

Modell-Linie: EXOS | EXOS0027

Spolssystem | Elektroniska WC-spolningssystem



Elektronisk t-fördelning

2000100853
ZAQUA075
