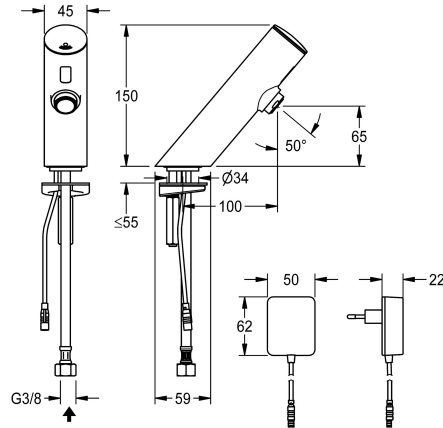


KWC

F3E electronic pillar tap with plug-in power supply unit

Modell-Linie: F3E | F3EV1007
Taps | Electronic taps



KWC-No.

2030033387

2030039463

with flow regulator 3.0 l/min

volume flow rate at 3 bar

0.1 l/s

0.05 l/s

F3E pillar tap DN 15 for sanitary facilities, opto-electronically controlled. For connection to pre-mixed hot or cold water via hose and strainer. Control electronics, solenoid valve cartridge and sensor in all-metal housing, high-polished chromium-plated brass. Aerator with integrated flow regulator 3.0 l/min. Activated water hygiene

flushing 24 hours after last activation, safety switch-off with continuous reflection and saving of statistical data. With option for parameterization and communication via optional, bidirectional remote control. With 100 - 240 V AC plug-in power supply unit.

Technical Data

with backflow preventer

calculation flow rate cold wat

compatible A3000 open

default automatic hygiene flus

depressurised

with filter

functional principle

hygiene flushing

diameter nominal

inlet size

Locking mechanism

material fitting

minimum flow pressure

type of mixing

Parameterization

Pop-up waste set

power supply connection

position of power connection

power consumption

Type of power supply

protective system IP

with rosettes/cover plate

protective shutdown

sound insulation

no

0.1 l/s

no

24h after the last activity

no

yes

electronic self-closing

yes

DN 15

G 3/8

Top section, non-ceramic

brass

1 bar

no

remote control

no

100 - 240 V AC

from bottom

1.5 Voltampere

Transformer

IP59K

no

yes

no



KWC

F3E electronic pillar tap with plug-in power supply unit

Modell-Linie: F3E | F3EV1007

Taps | Electronic taps

Spout	fixed
spout projection	100 mm
surface finish fitting	chromed
surface treatment fitting	polished
temperature limit	no
thermal disinfection	no
with transformer/power supply	yes
type of mounting	tap hole
type of operation	sensor operation
type of sensor	opto-electronic sensor
type of tap	pillar tap
volume flow rate at 3 bar	0.05 l/s
water connection	hose (gland nut)
Accent colour	none
Basic colour	chrome-look (glossy)

Optional Accessories



Bidirectional remote control for electronic fittings F3 and F5

2030036654
ACEX9005



2-button remote control for fittings F3 and F5

2030036849
ACEX9004



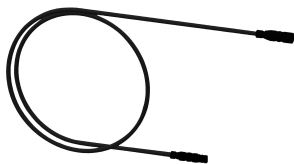
Theft-proof housing for aerator

2000104778
ZTAPS0005



PURETHERM under-table thermostat

2030012758
PURE0031



Extension cable 5 m

2030043814
ACEX9010

KWC

F3E electronic pillar tap with plug-in power supply unit

Modell-Linie: F3E | F3EV1007

Taps | Electronic taps

Spare Parts



Cap for F3E

2030041514
ASEX1006



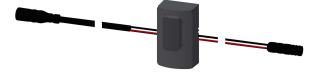
O-ring, red

2030042439
ASEV1002



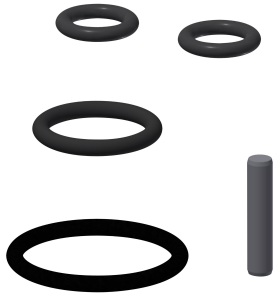
O-ring, blue

2030042440
ASEV1002



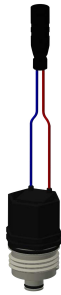
Sensor, ID 01/00001

2030041447
ASEX1001



Spare part set

2030042426
ASEX1011



Solenoid valve cartridge

2030045522
ACXX9002



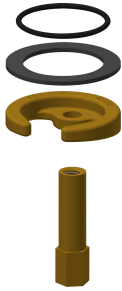
3.0 l/min. aerator

2030041424
ASXX1008



Hose

2030041501
ASEV1001



Quick-action fastener

2030042441
ASEX1012



Plug-in power supply unit

2030039823
ACEX9002