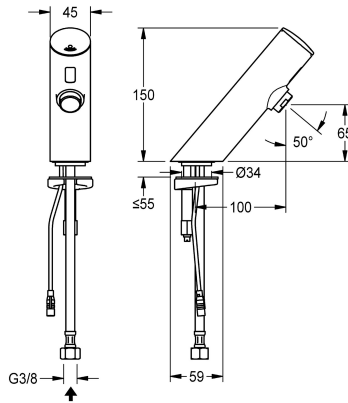


## KWC

### F3E electronic pillar tap for separate power supply

Modell-Linie: F3E | F3EV1009

Taps | Electronic taps



#### KWC-No.

2030039459

2030039465

with flow regulator 3.0 l/min

#### volume flow rate at 3 bar

0.1 l/s

0.05 l/s

F3E pillar tap DN 15 for sanitary facilities, opto-electronically controlled. For connection to pre-mixed hot or cold water via hose and strainer. Control electronics, solenoid valve cartridge and sensor in all-metal housing, high-polished chromium-plated brass. Aerator with integrated flow regulator 3.0 l/min. Activated water hygiene

flushing 24 hours after last activation, safety switch-off with continuous reflection and saving of statistical data. With option for parameterization and communication via optional, bidirectional remote control. Separate power supply via power supply unit 6.75 V / 12 V DC.

#### Technical Data

with backflow preventer

no

calculation flow rate cold wat

0.1 l/s

compatible A3000 open

no

default automatic hygiene flus

24h after the last activity

depressurised

no

with filter

yes

functional principle

electronic self-closing

hygiene flushing

yes

diameter nominal

DN 15

inlet size

G 3/8

Locking mechanism

Top section, non-ceramic

material fitting

brass

minimum flow pressure

1 bar

type of mixing

no

Parameterization

remote control

Pop-up waste set

no

power supply connection

6.75 / 12 VDC

position of power connection

from bottom

power consumption

1.5 Voltampere

Type of power supply

Transformer

protective system IP

IP59K

with rosettes/cover plate

no

protective shutdown

yes

sound insulation

no



## KWC

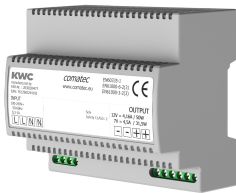
### F3E electronic pillar tap for separate power supply

Modell-Linie: F3E | F3EV1009

Taps | Electronic taps

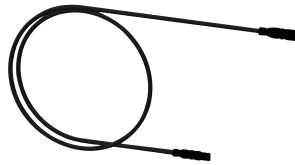
Spout	fixed
spout projection	100 mm
surface finish fitting	chromed
surface treatment fitting	polished
temperature limit	no
thermal disinfection	no
with transformer/power supply	no
type of mounting	tap hole
type of operation	sensor operation
type of sensor	opto-electronic sensor
type of tap	pillar tap
volume flow rate at 3 bar	0.05 l/s
water connection	hose (gland nut)
Accent colour	none
Basic colour	chrome-look (glossy)

#### Mandatory Accessories



**Power supply unit**

**2030039477**  
ACEX9001



**Extension cable 5 m**

**2030043814**  
ACEX9010

#### Optional Accessories



**Bidirectional remote control for  
electronical fittings F3 and F5**

**2030036654**



**2-button remote control for fittings F3  
and F5**

**2030036849**



**Theft-proof housing for aerator**

**2000104778**  
ZTAPS0005



**PURETHERM under-table thermostat**

**2030012758**  
PURE00031

## KWC

F3E electronic pillar tap for separate power supply

Modell-Linie: F3E | F3EV1009

Taps | Electronic taps

ACEX9005

ACEX9004

### Spare Parts



Cap for F3E

2030041514  
ASEX1006



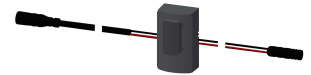
O-ring, red

2030042439  
ASEV1002



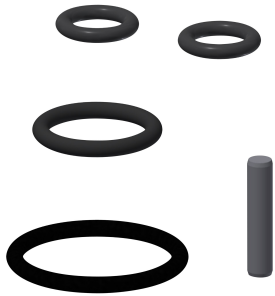
O-ring, blue

2030042440  
ASEV1002



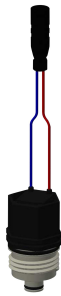
Sensor, ID 01/00001

2030041447  
ASEX1001



Spare part set

2030042426  
ASEX1011



Solenoid valve cartridge

2030045522  
ACXX9002



3.0 l/min. aerator

2030041424  
ASXX1008



Hose

2030041501  
ASEV1001



Quick-action fastener

2030042441  
ASEX1012