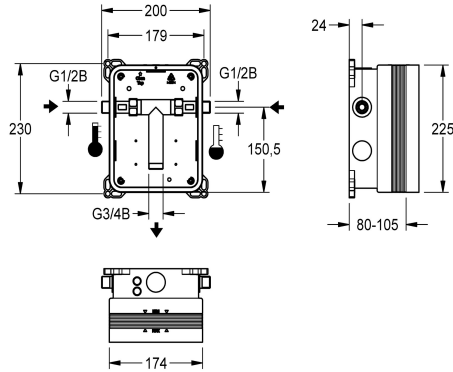
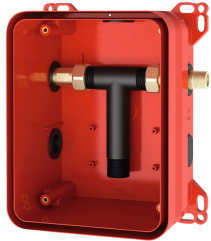


KWC

R3 KWC system box for in-wall mixers

Modell-Linie: F3 | F3BX1001

Taps | Basic installation kits for tap



KWC-No.

2030040479

R3 KWC system box for in-wall mixers

R3 basic installation kit for in-wall mounting of finished installation kits DN 15 with mixing unit, for sanitary facilities. For connection to hot and cold water. KWC system box made of plastic, 174 x 225

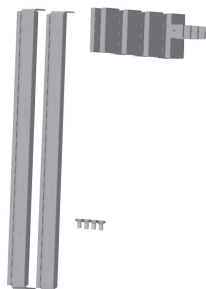
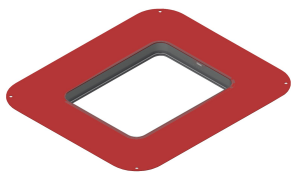
mm, with connection screws, shell protection, flush connector for flushing, and leak test.

Technical Data

application
barrier-free
Built-in fitting model
diameter nominal
material
minimum wall thickness
type of mixing
position of power connection
type
type of mounting

washing
No
Built-in section
DN 15
synthetic
80 mm
with thermostat / mixer
from top
for built-in with box
in-wall installation with box

Optional Accessories



Sliding adhesive flange

2030041606

ACBX9002

AQUAFIX Traverse

2000106019

ZCMPX006