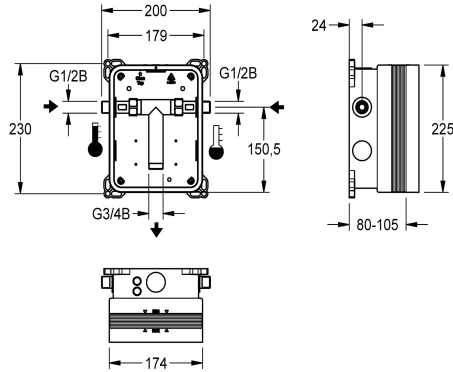
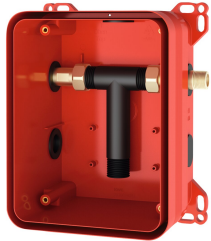


KWC

R3 KWC system box for in-wall mixers

Modell-Linie: F3 | F3BX1001

Taps | Basic installation kits for tap



KWC-No.

2030040479

R3 KWC system box for in-wall mixers

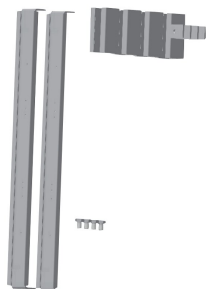
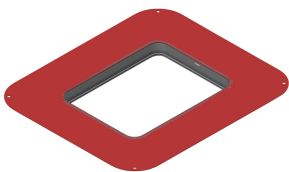
R3 basic installation kit for in-wall mounting of finished installation kits DN 15 with mixing unit, for sanitary facilities. For connection to hot and cold water. KWC system box made of plastic, 174 x 225

mm, with connection screws, shell protection, flush connector for flushing, and leak test.

Technical Data

application	washing
barrier-free	no
Built-in fitting model	Built-in section
diameter nominal	DN 15
material	synthetic
minimum wall thickness	80 mm
type of mixing	with thermostat / mixer
position of power connection	from top
type	for built-in with box
type of mounting	in-wall installation with box

Optional Accessories



Sliding adhesive flange

2030041606

ACBX9002

AQUAFIX Traverse

2000106019

ZCMPX006