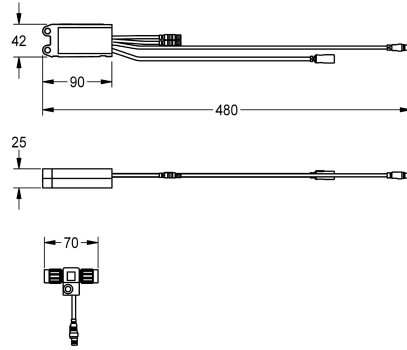


## KWC AQUA3000OPEN Electronic module for wash basin taps F5

Modell-Linie: AQUA3000OPEN | ACET1003  
Water management systems | Complementary parts water management



### KWC-No.

#### 2030041520

Electronic module EM5 with ID 02010 for F5EV1004/1008 and F5EM1004/1010

#### 2030059118

Electronic module EM5 with ID 02010, with flush box, for F5EV1004/1008 and F5EM1004/1010

#### 2030041914

Electronic module EM5 with ID 02050 for F5ET1004/1005/1006 and F5ET1019/1020/1021

#### 2030041915

Electronic module EM5 with ID 02020 for F5ET1013

#### 2030041916

Electronic module EM5 with ID 02030 for F5ET1014

#### 2030041917

Electronic module EM5 with ID 02040 for F5ET1015

#### 2030065092

Electronic module EM5 with ID 02090 for F5EV1013

Electronic module EM5 with ID 02030 and electronic T-distribution. For connection in water management system AQUA 3000 open, 24

V DC.

### Technical Data

quantity

1

quantity uom

piece



### Mandatory Accessories



## KWC AQUA3000OPEN Electronic module for wash basin taps F5

Modell-Linie: AQUA3000OPEN | ACET1003  
Water management systems | Complementary parts water management

### ECC2 function controller

**2000108123**  
ZA3OP0011



### ECC2 function controller

**2030016282**  
ZA3OP0022



### System cable

**2000100801**  
ZAQUA077

### System cable

**2000100852**  
ZAQUA078

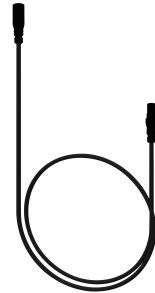
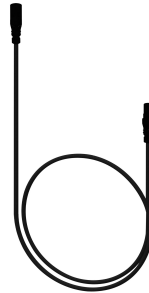
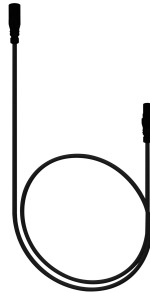
### System cable

**2000104272**  
ZAQUA011

### System cable

**2000104274**  
ZAQUA012

## Optional Accessories



### Extension cable

**2000101055**  
ZAQUA073

### Extension cable for sensor

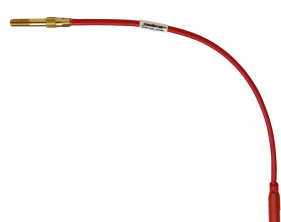
**2030041919**  
ACEX9006

### Extension cable for sensor

**2030041920**  
ACEX9007

### Extension cable

**2030056669**  
ACEX9013



### Temperature sensor insert

**2000100974**  
ZAQUA019

### Screw-in temperature sensor

**2000100972**  
ZAQUA017



**KWC** AQUA3000OPEN

Electronic module for wash basin taps F5

**Modell-Linie: AQUA3000OPEN | ACET1003**

Water management systems | Complementary parts water management