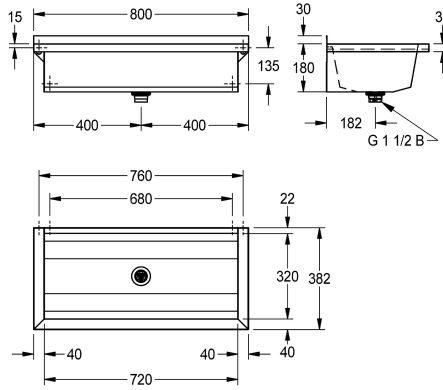


KWC PLANOX

Wash trough

Modell-Linie: PLANOX | PL8

Washbasins & Washtroughs | Washtroughs



KWC-No.

2030043777

Length 600 mm

2030043778

Length 800 mm

2030043779

Length 1200 mm

2030043780

Length 1600 mm

2030043781

Length 1800 mm

2030043782

Length 2400 mm

2030043783

Length 3000 mm

overall width

600 mm

800 mm

1,200 mm

1,600 mm

1,800 mm

2,400 mm

3,000 mm

PLANOX seamless welded washtrough for wall mounting, chromium nickel steel, satin finished surface, material thickness of washtrough 0.8 mm / side panels 1.2 mm, side panels with integrated wall brackets, without tap ledge or overflow, 40 mm rear upstand, central waste, G 1 1/2 B strainer waste, includes mounting

materials. For a length of 1800 mm or more, an additional bracket is supplied. Special lengths are available on request.

Dimensions 800 x 210 x 382 mm (W x H x D)

Technical Data

splash back height

30 mm

bowl - bowl height

180 mm

bowl - depth

320 mm

bowl - width

720 mm

material

stainless steel

material code

1.4301 Chrome Nickel steel V2A

number of waste holes

1

overall depth

382 mm

overall height

210 mm

overall width

800 mm

rear upstand

no

splash back

optional

surface finish

satin finished

tap ledge

no

type of mounting

wall mounting

type of waste kit

perforated waste

KWC PLANOX

Wash trough

Modell-Linie: **PLANOX | PL8**

Washbasins & Washtroughs | Washtroughs

waste hole position

centre

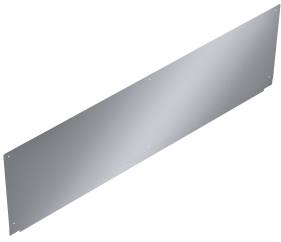
waste hole projection

182 mm

waste kit included

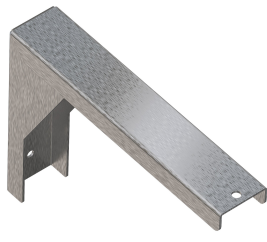
yes

Optional Accessories



PLANOX splash back

2030043806
PL8SB



Bracket for PLANOX washtroughs

2030043812
PL18SU



SATURN set of towel rails

2030046200
TB80