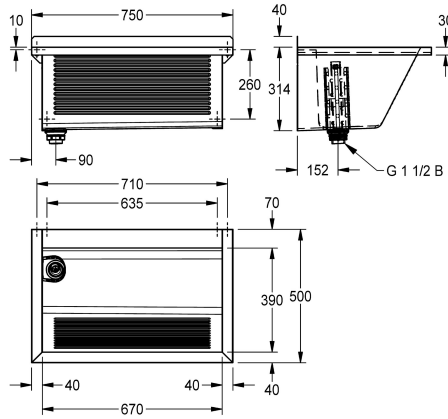


## KWC SIRIUS Washtrough

Modell-Linie: SIRIUS | BS313N  
Utility sinks | Multi purpose sink



### KWC-No.

**2030045753**

washing trough, dimensions 750 x 360 x 500 mm (W x H x D)

**2030045754**

right hand waste

### waste hole position

left back corner

right back corner

SIRIUS washtrough for wall mounting, stainless steel, satin finished surface, material thickness of trough 0.8 mm / side panels 1.2 mm, side panels with integrated wall brackets, seamlessly welded, front panel with rubbing board, 70 mm lowered tap ledge, no overflow, 40 mm rear upstand, left hand waste, G 1 1/2 B plastic standpipe

strainer, removable corner protection plate, includes fixings.

Dimensions 750 x 354 x 500 mm (W x H x D)  
Bowl dimensions 670 x 314 x 390 mm (W x H x D)

### Technical Data

splash back height

40 mm

bowl position

Center

bowl construction

square corner

bowl - bowl height

314 mm

bowl finish

satin finished

bowl - depth

390 mm

bowl - width

670 mm

brushes

Without brushes

drainer or storage

no

grid

no

material

stainless steel

material code

1.4301 Chrome Nickel steel V2A

material thickness

0.8 mm

number of waste holes

1

outlet size

G 1 1/2 B

overall depth

500 mm

overall height

354 mm

overall width

750 mm

overflow

standpipe overflow

rear upstand

no

wash riffle

yes

spillway

no

splash back

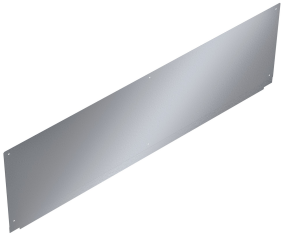
optional

## KWC SIRIUS Washtrough

Modell-Linie: SIRIUS | BS313N  
Utility sinks | Multi purpose sink

sump	no
sump basket	no
surface finish	satin finished
tap ledge	yes
type of mounting	wall mounting
type of utility sink	multi purpose sink
type of waste kit	standpipe strainer
waste hole position	left back corner
waste hole projection	150 mm
waste kit included	yes
waste size	DN 40

### Optional Accessories



#### SIRIUS Splashback

**2030047341**  
ZSIRX0040



#### Folding grid

**2000102678**  
ZSIRX001