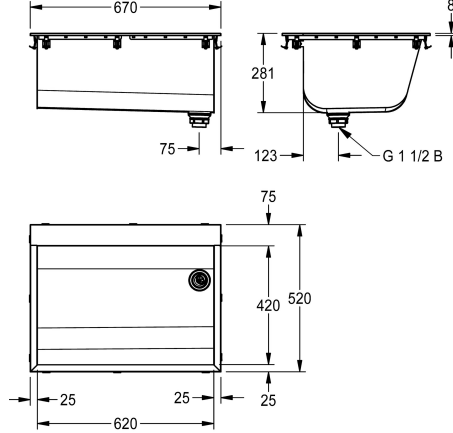


## KWC SIRIUS Washtrough

Modell-Linie: SIRIUS | BS324N  
Utility sinks | Multi purpose sink



### KWC-No.

#### 2030045756

SIRIUS washing trough, dimensions 670 x 285 x 520 mm (W x H x D)

#### 2030045757

without tap hole

SIRIUS washtrough for inset mounting, stainless steel, satin finished surface, material thickness of trough 0.8 mm / side panels 1.2 mm, seamlessly welded, front panel without rubbing board, 75 mm tap landing, no tap holes, no overflow, right hand waste, G 1 1/2 B plastic standpipe strainer, includes seals and fixing claws for inset

### number of tap holes

1

mounting.

Dimensions 670 x 281 x 520 mm (W x H x D)  
Bowl dimensions 620 x 281 x 420 mm (W x H x D)  
Cut out size 655 x 505 mm (W x D)

### Technical Data

|                       |
|-----------------------|
| bowl position         |
| bowl construction     |
| bowl - bowl height    |
| bowl finish           |
| bowl - depth          |
| bowl - width          |
| brushes               |
| drainer or storage    |
| grid                  |
| material              |
| material code         |
| material thickness    |
| number of waste holes |
| outlet size           |
| overall depth         |
| overall height        |
| overall width         |
| overflow              |
| rear upstand          |
| wash riffle           |
| spillway              |
| splash back           |
| sump                  |

|                                |
|--------------------------------|
| center                         |
| square corner                  |
| 281 mm                         |
| satin finished                 |
| 420 mm                         |
| 620 mm                         |
| Without brushes                |
| no                             |
| no                             |
| stainless steel                |
| 1.4301 Chrome Nickel steel V2A |
| 0.8 mm                         |
| 1                              |
| G 1 1/2 B                      |
| 520 mm                         |
| 281 mm                         |
| 670 mm                         |
| standpipe overflow             |
| no                             |
| no                             |
| no                             |
| no                             |
| no                             |



## KWC SIRIUS Washtrough

**Modell-Linie: SIRIUS | BS324N**  
Utility sinks | Multi purpose sink

|                       |                    |
|-----------------------|--------------------|
| sump basket           | no                 |
| surface finish        | satin finished     |
| tap ledge             | yes                |
| type of mounting      | inset mounting     |
| type of utility sink  | multi purpose sink |
| type of waste kit     | standpipe strainer |
| number of wash places | 1                  |
| waste hole position   | right back corner  |
| waste hole projection | 195 mm             |
| waste kit included    | yes                |
| waste size            | DN 40              |