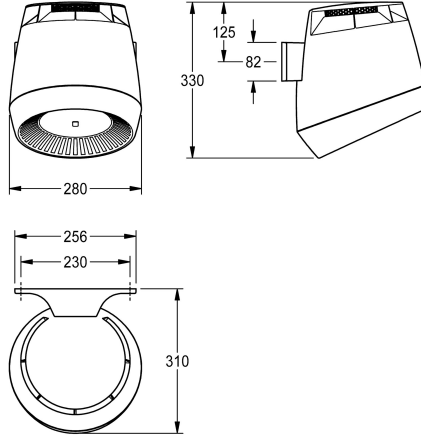


KWC F5 Hood hair dryer

Modell-Linie: F5 | F5DR2001
Hand and hair dryers | Hair dryers



KWC-No.

2030050305

2030052323

Drying recess in basalt grey colour

2030052324

Drying recess in pearl gentian blue colour

2030052327

Drying recess in lemon yellow colour

2030052328

Drying recess in signal red colour

Accent colour

white

basalt grey

pearl gentian blue

lemon yellow

signal red

F5 hood hair dryer for wall mounting, opto-electronically controlled for touch-free activation, integrated ion technology, brushless and maintenance-free EC motor. Sensor range and safety switch-off for permanent reflexion adjustable using optional bidirectional remote control. Made of thermoplastic material, housing and mounting in light grey, drying recess in white, with 4 air outlets for even hot air distribution.

Operating voltage 230 V AC, 50/60 Hz
Overall power 1300 W
Heating power 1200 W
Protective system IP23
Air quantity 190 m³/h = 53 l/s
Air speed 8 m/s
Noise level 66 db (A)
Dimensions 280 x 331 x 307 mm (W x H x D)

Technical Data

blower output

190 Cubic Meter/Hour

input supply voltage Hz

50 Hertz (1/second)

input supply voltage V

230 Volt

heating power

1,200 Watt

material

synthetic

overall depth

307 mm

overall height

331 mm

overall width

280 mm

protective system IP

IP23

sound level

66 Decibels (A Weighting)

total power

1,300 Watt

type of fixing

screw

type of mounting

wall mounting

type of operation

sensor operation

Accent colour

white

Basic colour

light grey

KWC F5 Hood hair dryer

Modell-Linie: F5 | F5DR2001
Hand and hair dryers | Hair dryers

Optional Accessories



Height adjustment for F5 hood hair dryers

2030052329
ACDR0001



Height adjustment for F5 hood hair dryers

2030052330
ACDR0002



Height adjustment for F5 hood hair dryers

2030052331
ACDR0003



Height adjustment for F5 hood hair dryers

2030052332
ACDR0004



Height adjustment for F5 hood hair dryers

2030052333
ACDR0005



Bidirectional remote control for electrical fittings F3 and F5

2030036654
ACEX9005