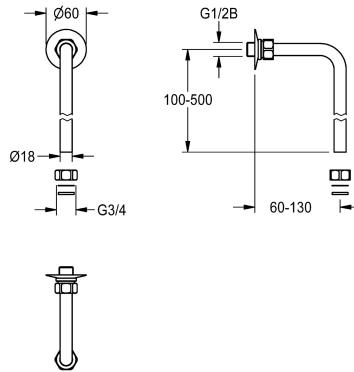


## KWC

### Bent outlet

Modell-Linie: **SHOWER-ACCESSORY | ACXX2006**

Showers | Complementary parts showers



#### KWC-No.

##### **2030050434**

Bent outlet 120 x 150 mm, maximum mounting dimension 130 x 134 mm

##### **2030050435**

Bent outlet 120 x 500 mm, maximum mounting dimension 130 x 484 mm

Bent outlet 120 x 500 mm, with reduction nipple G 1/2 B and 2 pinch union nuts G 3/4 x 18 mm. Chromium-plated brass.

Maximum mounting dimension 130 x 484 mm.

#### Technical Data

type of shower pipe

bent outlet