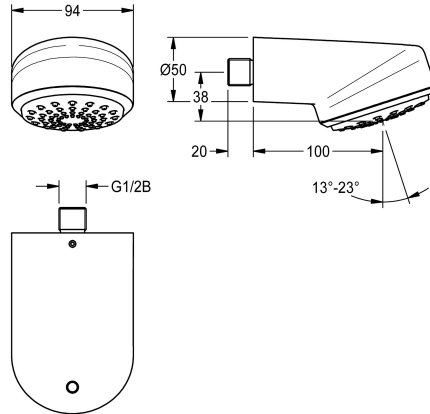


## KWC AQUAJET-Comfort Shower head for wall connection

Modell-Linie: AQUAJET-COMFORT | SHAC0013  
Showers | Shower heads



### KWC-No.

**2030055724**

AQUAJET-Comfort shower head

AQUAJET-Comfort DN 15 shower head with plastic jet face continuously adjustable between 13–23°, anti-limescale system and low aerosol formation. For wall connector with insertable connecting nozzle, diameter 26 mm, high-polished chrome-plated

brass housing, with integrated flow regulator 9.0 l/min, ready for installation of anti-twist protection.

Also suitable for shower trays, 800 x 800 mm.

### Technical Data

diameter nominal

DN 15

adjustable tilt angle

yes

type

shower head

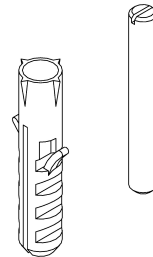
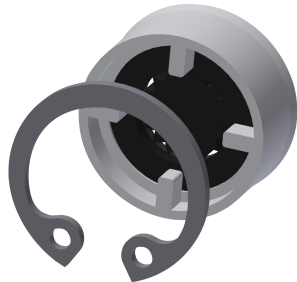
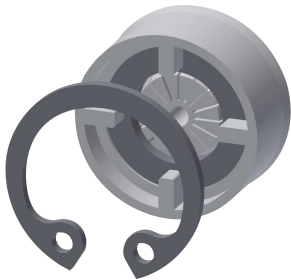
type of connection

wall connection

type of shower head

spray shower head

### Optional Accessories



### Flow controller 6.0 l/min

**2030027586**

ESHHE0004

### Flow controller 12.0 l/min

**2000104783**

ESHHE0002

### Anti-twist protection

**2000101108**

ZAQUA004

### Adhesive flange

**2000101467**

ZAQUA701

## KWC AQUAJET-Comfort Shower head for wall connection

Modell-Linie: AQUAJET-COMFORT | SHAC0013  
Showers | Shower heads



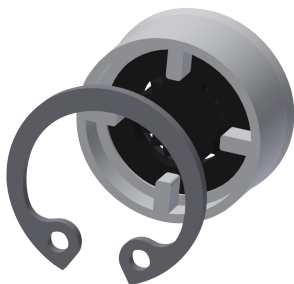
### AQUAFIX bar

---

**2000104310**  
ZCMPX005

---

### Spare Parts



### Flow controller 9,0 l/min

---

**2000104782**  
ESHHE0001

---