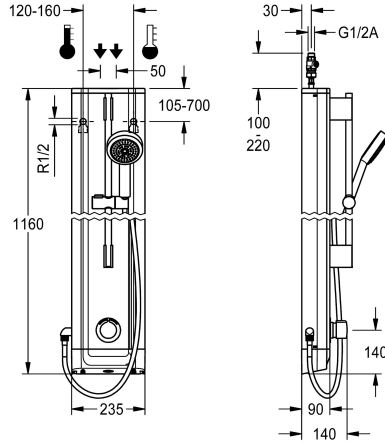


KWC F5S-Mix Stainless steel shower panel with hand shower fitting

Modell-Linie: F5S | F5SM2021
Showers | Self closing showers



KWC-No.

2030056548

F5S Mix shower panel made of stainless steel for wall mounting with DN 15 self-closing single control mixer and connecting nozzles for a hand shower fitting. FRAMIC self-closing mixing cartridge, hydraulically controlled, low maintenance and stagnation free, with ceramic disc technology, self-closing, flow pressure independent due to the medium-independent design. Stepless adjustment of flow duration. With adjustable, turn-proof temperature stop. For connection to hot water and cold water. All-metal construction, visible parts high-polished or chrome-plated. Pre-fitted chrome-

plated brass shower pole with height-adjustable hand shower holder and chrome-plated plastic hand shower, shower head with rain jet, diameter 110 mm, shower hose 900 mm. Housing made of stainless steel with raised function surface and plastic cover caps. Connecting hoses with lockable water volume control with backflow preventer and strainer.

Dimensions of housing 235 x 1160 x 90 mm (W x H x D)

Technical Data

additional connections
with backflow preventer
circulation
compatible A3000 open
connection with pay water disp
with filter
adjustable flow time
functional principle
for hand shower
hygiene flushing
diameter nominal
Locking mechanism
material casing
material code casing
material fitting
maximum flow time
minimum flow pressure
minimum flow time
type of mixing
overall depth
overall height
overall width
with rosettes/cover plate

No
Yes
No
No
not possible
Yes
Yes
hydraulic self-closing
Yes
No
DN 15
Top section, ceramic
stainless steel
1.4301 Chrome Nickel steel V2A
brass-look
35 Seconds
1 bar
5 Seconds
Yes
90 mm
1,160 mm
235 mm
Yes



KWC F5S-Mix

Stainless steel shower panel with hand shower fitting

Modell-Linie: F5S | F5SM2021
Showers | Self closing showers

protective shutdown	No
shower pipe draining	No
with shower set	Yes
sound insulation	No
surface finish fitting	chromed
surface treatment fitting	polished
temperature limit	Yes
thermal disinfection	No
type of mounting	wall mounting
type of operation	manual operation
type of shower	shower panel
water connection	hose (gland nut)
position of water connection	from top / backside
with soap dish	No
Accent colour	chrome-look (glossy)
Basic colour	stainless steel-look

Optional Accessories



Housing extension for F5 shower panels made of stainless steel

2030057066
ACXX2011



Housing extension for F5 shower panels made of stainless steel

2030057067
ACXX2012



Housing extension for F5 shower panels made of stainless steel

2030057068
ACXX2013



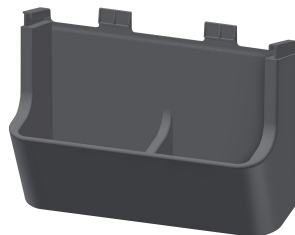
Housing extension for F5 shower panels made of stainless steel

2030057069
ACXX2014



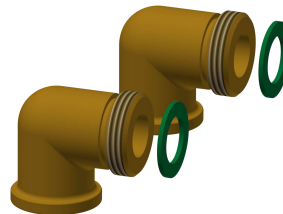
Housing extension for F5 shower panels made of stainless steel

2030057070
ACXX2015



Shower gel dish for F5 shower panels made of stainless steel

2030057077
ACXX2021



Connection set for shower panel

2000104916
ZSHOW0006



Connection adapter

2000101441
AQRM928

KWC F5S-Mix

Stainless steel shower panel with hand shower fitting

Modell-Linie: F5S | F5SM2021
Showers | Self closing showers

Spare Parts



Hand shower

2030051216
ACXX2007



Plug chromed

2030053006
ASSX9004



Handle push cap

2030050753
ASSM9004



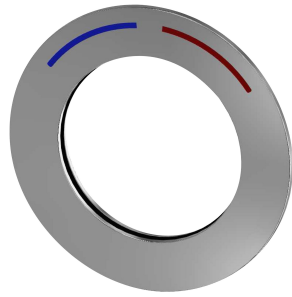
Temperature stop

2030046189
ASSM9002



Safety ring

2030048357
ASSX9003



Rosette

2030045510
ASXM2003



FRAMIC self-closing mixing cartridge

2030046185
ASSM9001



Stainless steel care set

2000109019
ZWSPL0024



Cleaning product CHROMOL

2000105091
ZWSPL0023