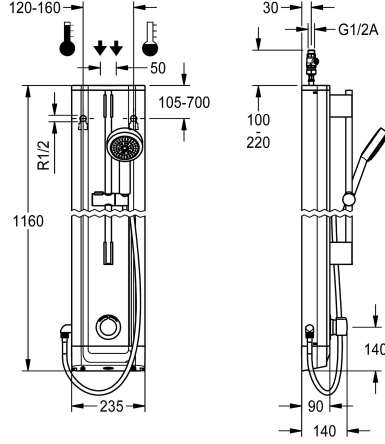


KWC F5S-Mix

Stainless steel shower panel with hand shower fitting

Modell-Linie: F5S | F5SM2021

Showers | Self closing showers



KWC-No.

2030056548

F5S Mix shower panel made of stainless steel for wall mounting with DN 15 self-closing single control mixer and connecting nozzles for a hand shower fitting. FRAMIC self-closing mixing cartridge, hydraulically controlled, low maintenance and stagnation free, with ceramic disc technology, self-closing, flow pressure independent due to the medium-independent design. Stepless adjustment of flow duration. With adjustable, turn-proof temperature stop. For connection to hot water and cold water. All-metal construction, visible parts high-polished or chrome-plated. Pre-fitted chrome-

plated brass shower pole with height-adjustable hand shower holder and chrome-plated plastic hand shower, shower head with rain jet, diameter 110 mm, shower hose 900 mm. Housing made of stainless steel with raised function surface and plastic cover caps. Connecting hoses with lockable water volume control with backflow preventer and strainer.

Dimensions of housing 235 x 1160 x 90 mm (W x H x D)

Technical Data

additional connections	no
with backflow preventer	yes
circulation	no
compatible A3000 open	no
connection with pay water disp	not possible
with filter	yes
adjustable flow time	yes
functional principle	hydraulic self-closing
for hand shower	yes
hygiene flushing	no
diameter nominal	DN 15
Locking mechanism	Top section, ceramic
material casing	stainless steel
material code casing	1.4301 Chrome Nickel steel V2A
material fitting	brass
maximum flow time	35 Seconds
minimum flow pressure	1 bar
minimum flow time	5 Seconds
type of mixing	yes
overall depth	90 mm
overall height	1,160 mm
overall width	235 mm
with rosettes/cover plate	yes



KWC F5S-Mix

Stainless steel shower panel with hand shower fitting

Modell-Linie: F5S | F5SM2021

Showers | Self closing showers

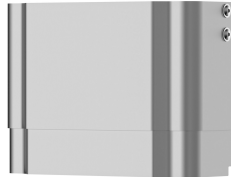
protective shutdown	no
shower pipe draining	no
with shower set	yes
sound insulation	no
surface finish fitting	chromed
surface treatment fitting	polished
temperature limit	yes
thermal disinfection	no
type of mounting	wall mounting
type of operation	manual operation
type of shower	shower panel
water connection	hose (gland nut)
position of water connection	from top / backside
with soap dish	no
Accent colour	chrome-look (glossy)
Basic colour	stainless steel

Optional Accessories



Housing extension for F5 shower panels made of stainless steel

2030057066
ACXX2011



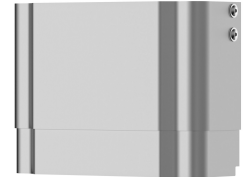
Housing extension for F5 shower panels made of stainless steel

2030057067
ACXX2012



Housing extension for F5 shower panels made of stainless steel

2030057068
ACXX2013



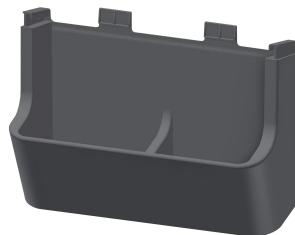
Housing extension for F5 shower panels made of stainless steel

2030057069
ACXX2014



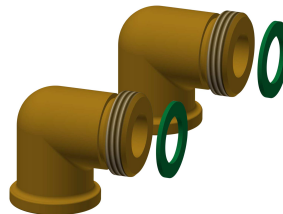
Housing extension for F5 shower panels made of stainless steel

2030057070
ACXX2015



Shower gel dish for F5 shower panels made of stainless steel

2030057077
ACXX2021



Connection set for shower panel

2000104916
ZSHOW0006



Connection adapter

2000101441
AQRM928

KWC F5S-Mix

Stainless steel shower panel with hand shower fitting

Modell-Linie: F5S | F5SM2021
Showers | Self closing showers

Spare Parts



Hand shower

2030051216
ACXX2007



Plug chromed

2030053006
ASSX9004



Handle push cap

2030050753
ASSM9004



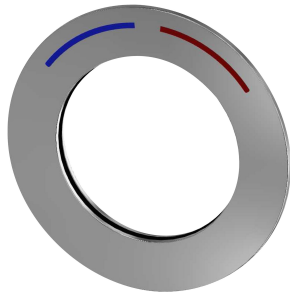
Temperature stop

2030046189
ASSM9002



Safety ring

2030048357
ASSX9003



Rosette

2030045510
ASXM2003



FRAMIC self-closing mixing cartridge

2030046185
ASSM9001



Stainless steel care set

2000109019
ZWSPL0024



Cleaning product CHROMOL

2000105091
ZWSPL0023