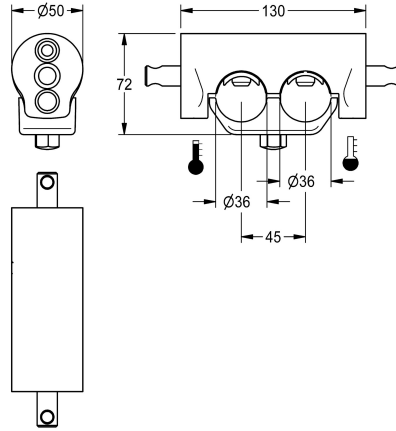


## KWC

### Double clamping bridge

Modell-Linie: F5 | ACXM1004

Spare parts | Spare parts taps



#### KWC-No.

**2030059971**

Double clamping bridge for installation on distribution lines positioned next to one another

Double clamping bridge for washbasin mixers with water connections positioned arranged side by side, for installation on

distribution lines positioned next to one another, diameter 45 mm

#### Technical Data

quantity

1

quantity uom

piece