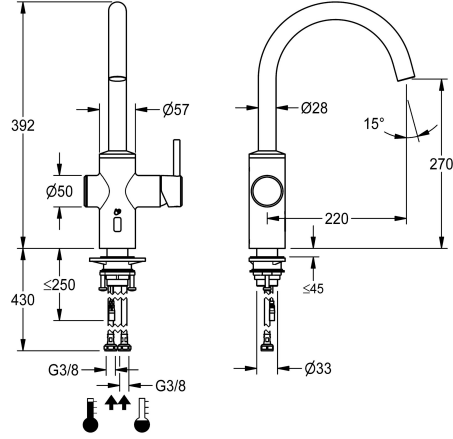


## KWC F5LME Hybrid kitchen fitting

Modell-Linie: F5L | F5LME001  
Taps | Manual taps



### KWC-No.

**2030061048**

F5LME hybrid kitchen fitting DN 15 as pillar mixer with swivelling spout, can be locked in the centre position. Adjustable swivel ranges of 50°, 120° and 360°. For connection to hot water and cold water via hoses with strainers. Single lever mixer with mixer cartridge with ceramic disc technology and adjustable, turn-proof temperature stop. Alternative activation using hand reflection via an opto-electronic sensor for time-controlled water release with preset mixing water temperature. Mixer cartridge, solenoid valve and sensor with control electronics in all-metal housing, brushed stainless steel. Laminar jet controller with integrated flow rate controller (8.0 l/min). Projection 220 mm. Activated water hygiene

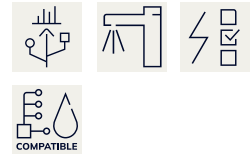
flushing 24 hours after last activation, safety switch-off for continuous reflection and saving of statistical data. With option for parametrisation and communication via optional, bidirectional remote control. Optionally for battery operation with battery compartment including 6 V lithium battery (CR-P2) per fitting for installation under the kitchen sink or for separate power supply via 6.75 V/12 V DC power supply unit or AQUA 3000 open system accessories.

Battery compartment including battery or power supply unit with extension cable must be ordered separately.

### Technical Data

depressurised
with filter
functional principle
hygiene flushing
diameter nominal
Locking mechanism
material fitting
minimum flow pressure
type of mixing
Pop-up waste set
with rosettes/cover plate
Spout
surface finish fitting
temperature limit
thermal disinfection
type of mounting
type of operation
type of tap
volume flow rate at 3 bar
water connection
Accent colour

No
Yes
manual
prepared
DN 15
Top section, non-ceramic
stainless steel
1 bar
Yes
No
No
rotating, top
brushed
Yes
Yes
tap hole
manual operation
pillar tap
0.13 l/s
hose (gland nut)
none



## KWC F5LME Hybrid kitchen fitting

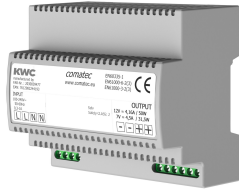
Modell-Linie: F5L | F5LME001  
Taps | Manual taps

### Mandatory Accessories



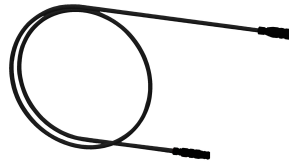
**Battery compartment**

**3600002063**  
ACEX9023



**Power supply unit**

**2030039477**  
ACEX9001



**Extension cable 5 m**

**2030043814**  
ACEX9010



**Plug-in power supply unit**

**2030039823**  
ACEX9002



**Plug-in power supply unit**

**3600002062**  
ACEX9022



**In-wall power supply**

**2030039825**  
ACEX9003

### Optional Accessories



**Bidirectional remote control for  
electronical fittings F3 and F5**

**2030036654**  
ACEX9005



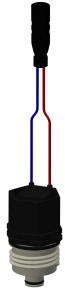
**2-button remote control for fittings F3  
and F5**

**2030036849**  
ACEX9004

## KWC F5LME Hybrid kitchen fitting

Modell-Linie: F5L | F5LME001  
Taps | Manual taps

### Spare Parts



**Solenoid valve cartridge**

---

**2030045522**  
ACXX9002

---



**Backflow preventer DN 6**

---

**2030045816**  
ASXX9002

---