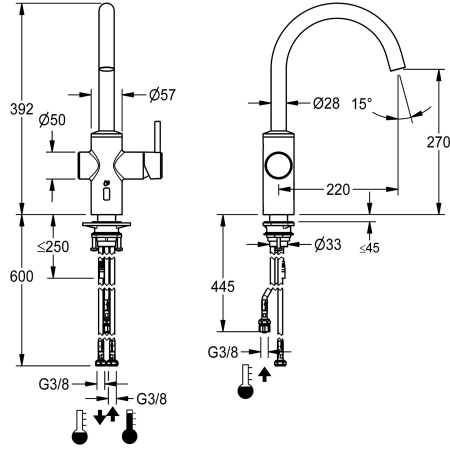


## KWC F5LME

Hybrid kitchen fitting for hot water heater

Modell-Linie: F5L | F5LME002

Taps | Manual taps



### KWC-No.

**2030061065**

F5LME hybrid kitchen fitting DN 15 as pillar mixer with swivelling spout, can be locked in the centre position. Adjustable swivel ranges of 50°, 120° and 360°. To the connection via hoses in open undercounter boilers. Single lever mixer with mixer cartridge with ceramic disc technology and adjustable, turn-proof temperature stop. Alternative activation using hand reflection via an optoelectronic sensor for time-controlled water release with preset mixing water temperature. Mixer cartridge, solenoid valve and sensor with control electronics in all-metal housing, brushed stainless steel. With beam shaper. Projection 220 mm. Activated water hygiene flushing 24 hours after last activation, safety switch-

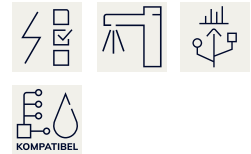
off for continuous reflection and saving of statistical data. With option for parametrisation and communication via optional, bidirectional remote control. Optionally for battery operation with battery compartment including 6 V lithium battery (CR-P2) per fitting for installation under the kitchen sink or for separate power supply via 6.75 V/12 V DC power supply unit or AQUA 3000 open system accessories.

Battery compartment including battery or power supply unit with extension cable must be ordered separately.

### Technical Data

depressurised
with filter
functional principle
hygiene flushing
diameter nominal
Locking mechanism
material fitting
minimum flow pressure
type of mixing
Pop-up waste set
with rosettes/cover plate
Spout
surface finish fitting
temperature limit
thermal disinfection
type of mounting
type of operation
type of tap
water connection
Accent colour

yes
yes
manual
prepared
DN 15
Top section, non-ceramic
stainless steel
1 bar
yes
no
no
rotating, top
brushed
yes
yes
tap hole
manual operation
pillar tap
hose (gland nut)
none



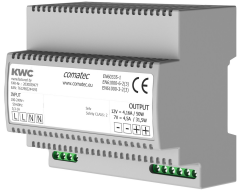
### Mandatory Accessories

## KWC F5LME

Hybrid kitchen fitting for hot water heater

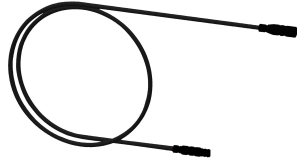
Modell-Linie: F5L | F5LME002

Taps | Manual taps



Power supply unit

**2030039477**  
ACEX9001



Extension cable 5 m

**2030043814**  
ACEX9010



Plug-in power supply unit

**2030039823**  
ACEX9002



In-wall power supply

**2030039825**  
ACEX9003

### Optional Accessories



Bidirectional remote control for electronic fittings F3 and F5

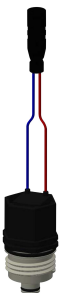
**2030036654**  
ACEX9005



2-button remote control for fittings F3 and F5

**2030036849**  
ACEX9004

### Spare Parts



Solenoid valve cartridge

**2030045522**  
ACXX9002



Backflow preventer DN 6

**2030045816**  
ASXX9002



Hose

**2030041313**  
ASXX1006