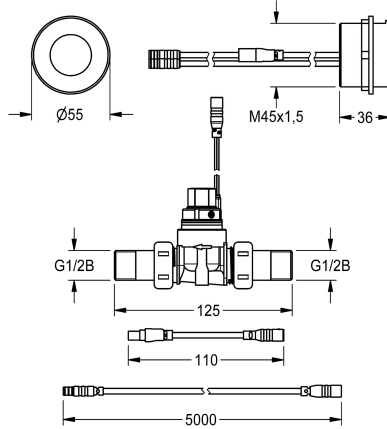
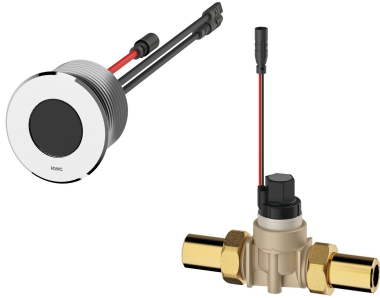


## KWC F5E Urinal flush valve for concealed mounting

Modell-Linie: F5E | F5EF3002  
Flushing systems | Electronic urinal flushing systems



### KWC-No.

**2030062317**

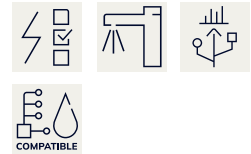
F5E Urinal flush valve DN 15 for concealed mounting, opto-electronic control. With round sensor (diameter 55 mm), with integrated control electronics and deactivation of cleaning, high-polished chrome-plated brass, to be screwed in from rear, with anti-twist protection, solenoid valve with screw fixings G 1/2 B, extension cable for solenoid valve, length 5 m. Activated water hygiene flushing 24 hours after last activation and saving of statistical data. With option for parameterization and communication via optional,

bidirectional remote control. Optional for battery operation with 6 V lithium battery (CR-P2) per fitting or separate power supply via power supply unit 6.75 V/12 V DC or AQUA 3000 open system accessories.

Battery compartment including battery or power supply unit with extension cable must be ordered separately.

### Technical Data

default automatic hygiene flush	24h after the last activity
Flushing volume adjustable	no
functional principle	electronic self-closing
diameter nominal	DN 15
inlet size	G 1/2 B
material fitting	synthetic
maximum flow pressure	4 bar
maximum flushing flow	0.7 l/s
maximum flush water volume	4 Liter
minimum flow pressure	1 bar
minimum flushing flow	0.3 l/s
minimum flush water volume	2 Liter
Parameterization	remote control
power supply connection	6,75 / 12 V DC / A3000 open
Type of power supply	Transformer
protective shutdown	yes
sound insulation	no
with transformer/power supply	no
type of flushing fitting	urinal flush valve
type of mounting	concealed
type of operation	sensor operation
type of sensor	opto-electronic sensor
water connection	threaded connection (external)



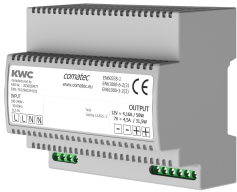
## KWC F5E

Urinal flush valve for concealed mounting

Modell-Linie: F5E | F5EF3002

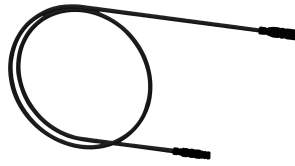
Flushing systems | Electronic urinal flushing systems

### Mandatory Accessories



#### Power supply unit

**2030039477**  
ACEX9001



#### Extension cable 5 m

**2030043814**  
ACEX9010

### Optional Accessories



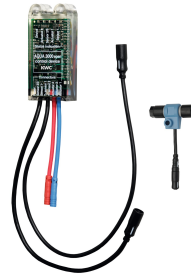
#### Bidirectional remote control for electronical fittings F3 and F5

**2030036654**  
ACEX9005



#### 2-button remote control for fittings F3 and F5

**2030036849**  
ACEX9004



#### Electronic module for F5 urinal flush valve

**2030056786**  
ACEF3001



#### Cover plate

**2000101054**  
ZAQUA084