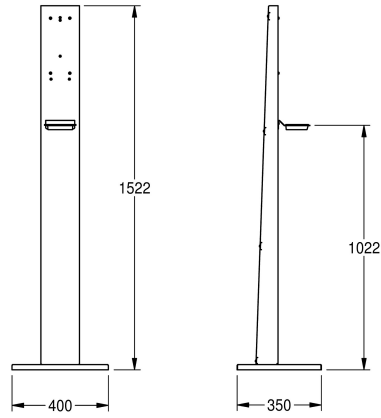


## KWC Premium Stand

Modell-Linie: ACCESSOIRES | GLX2020  
Accessories | Complementary parts accessories



### KWC-No.

**2030062801**

Stand Premium, for KWC touch-free disinfectant/soap dispensers

Premium Stand, free-standing, stainless steel with satin finish, material thickness 1.5 mm, comes with black plastic drip tray, provision threaded holes and fixing screws, compatible to mount KWC touch-free disinfectant/soap dispensers, mounting material included.

Dimensions 400 x 1522 x 350 mm (W x H x D)  
Dimensions base plate 400 x 22 x 350 mm (W x H x D)

Dispensers not in scope of delivery.

### Technical Data

material	stainless steel
material code	1.4301 Chrome Nickel steel V2A
material thickness	1.5 mm
overall depth	350 mm
overall height	1,522 mm
overall width	400 mm
surface finish	satin finished
type of mounting	no mounting

material	stainless steel
material code	1.4301 Chrome Nickel steel V2A
material thickness	1.5 mm
overall depth	350 mm
overall height	1,522 mm
overall width	400 mm
surface finish	satin finished
type of mounting	no mounting