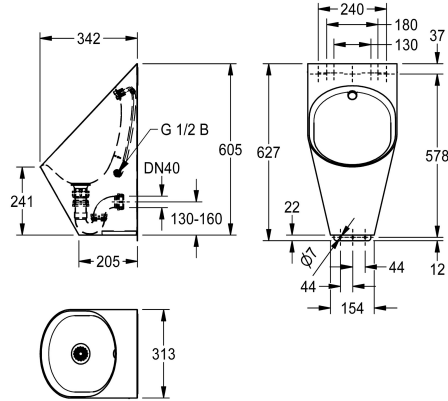


KWC CAMPUS Wall-mounted urinal

Modell-Linie: **CAMPUS | CMPX539**
WCs and urinals | Single urinal



KWC-No.

2030066247

CAMPUS wall-mounted urinal made of 304 chromium-nickel steel, satin finished surface, bowl material thickness 1.2 mm, shroud 0.9 mm, oval bowl shape, stainless steel spreader with G 1/2 connecting hose, punched strainer waste, including DN 40 siphon,

mounting strip and mounting material.

Dimensions 313 x 627 x 342 mm (W x H x D)

Technical Data

inlet size
material
material code
material thickness
outlet size
overall depth
overall height
overall width
siphon included
surface finish
type of flushing
type of mounting
type of urinal
water inlet
water outlet

G 1/2
stainless steel
1.4301 Chrome Nickel steel V2A
1.2 mm
DN 40
342 mm
627 mm
313 mm
yes
satin finished
water flushed
wall mounting
single urinal
concealed
concealed

Optional Accessories





KWC CAMPUS
Wall-mounted urinal

Modell-Linie: CAMPUS | CMPX539
WCs and urinals | Single urinal

F5 smart urinal sensor

2030067530
F5EF3008

F5 smart urinal sensor

2030067531
F5EF3009
