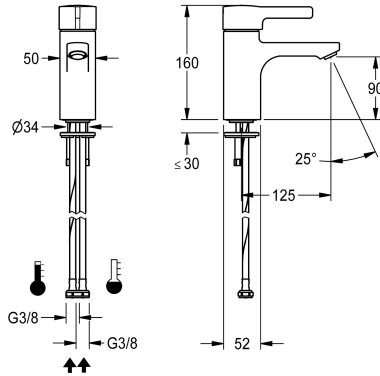


KWC F5L-Therm Thermostatic single-lever pillar mixer

Modell-Linie: F5L | F5LT1002
Taps | Manual taps



KWC-No.

2030066481

F5L-Therm thermostatic single-lever mixer as DN 15 pillar mixer for sanitary facilities. Thermostatically-controlled mixer cartridge with expansion element and active scald protection as well as adjustable and turn-proof temperature stop, and ceramic disc technology. With mechanism for optional hygiene unit for automatic

hygiene flushing, program-controlled thermal disinfection and storage of statistical data. For connection to hot water and cold water via hoses, includes strainers. All-metal construction, high-polished chrome-plated brass. Anti-theft aerator, SLIM design, with integrated flow rate controller 5.0 l/min, projection 125 mm.

Technical Data

with backflow preventer

depressurised

with filter

functional principle

hygiene flushing

diameter nominal

inlet size

Locking mechanism

material fitting

minimum flow pressure

type of mixing

Pop-up waste set

with rosettes/cover plate

sound insulation

Spout

spout projection

surface finish fitting

surface treatment fitting

temperature limit

thermal disinfection

type of mounting

type of operation

type of tap

volume flow rate at 3 bar

water connection

no

no

yes

manual

prepared

DN 15

G 3/8

Top section, ceramic

brass-look

1 bar

with thermostat

no

no

no

fixed

125 mm

chromed

polished

yes

yes

tap hole

manual operation

pillar tap

0.08 l/s

hose (gland nut)



KWC F5L-Therm Thermostatic single-lever pillar mixer

Modell-Linie: F5L | F5LT1002
Taps | Manual taps

Accent colour

none

Basic colour

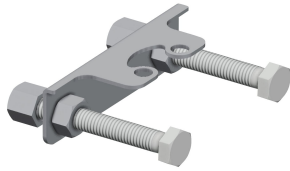
chrome-look (glossy)

Optional Accessories



Socket for F5L single-lever pillar mixer

2030041325
ACLM1010



Anti-twist protection

2030041324
ACLM1009



5.0 l/min aerator, angle-adjustable

2030041326
ACXX1002



Hygiene unit for F5L single lever mixers

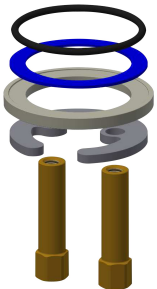
2030068986
ACLX1003



Hygiene unit for in-wall installation
for F5L single lever mixers

2030068988
ACLX1007

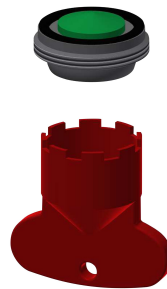
Spare Parts



Quick-action fastener



Hose



Aerator 5.0 l/min



Mounting key



KWC F5L-Therm
Thermostatic single-lever pillar mixer

Modell-Linie: F5L | F5LT1002
Taps | Manual taps

2030010045
EAQFT0005

2030041311
ASXX1005

2030041011
ASXX1004

2030041329
ACXX1003
