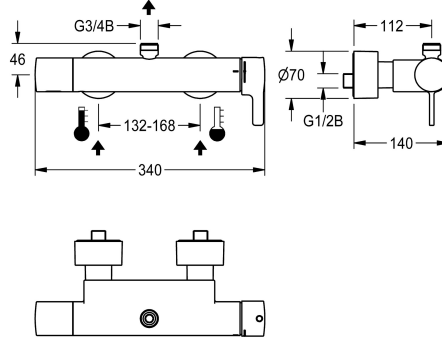


## KWC

### F5L-Therm thermostatic single-lever wall-mounted mixer

Modell-Linie: F5L | F5LT2004  
Showers | Manual shower



#### KWC-No.

**2030066498**

F5L-Therm thermostatic single-lever mixer as DN 15 wall-mounted mixer for wall mounting, for shower facilities. Thermostatically-controlled mixer cartridge with expansion element and active scald protection as well as adjustable and turn-proof temperature stop, and ceramic disc technology. With pre-assembled hygiene unit including 6 V lithium battery (CR P2) for automatic hygiene flushing and program-controlled thermal disinfection (additional bypass solenoid-operated flush valve cartridge necessary) and storage of statistical data. For connection to hot and cold water. Scald-

protection Safe-Touch housing with outlet on top, G 3/4 B, for installation of waste elbow or wall-mounted shower pipe. All-metal construction, high-polished chrome-plated brass. With adjustable and lockable connections with backflow preventers and strainers, fully covered by depth-adjustable screw rosettes. Activated hygiene flushing, fixed interval of 24 hours. With option for parameterization and communication via optional, bidirectional remote control.

#### Technical Data

additional connections	no
with backflow preventer	yes
circulation	no
connection with pay water disp	not possible
default automatic hygiene flush	fixed interval 24 hours
with filter	yes
adjustable flow time	no
functional principle	manual
for hand shower	no
hygiene flushing	yes
diameter nominal	DN 15
inlet size	G 1/2 B
Locking mechanism	Top section, ceramic
material casing	brass
material fitting	brass
minimum flow pressure	1 bar
type of mixing	with thermostat
number of batteries	1
overall depth	140 mm
overall height	70 mm
overall width	340 mm
Parameterization	remote control
power supply connection	Battery 6 V



## KWC

### F5L-Therm thermostatic single-lever wall-mounted mixer

Modell-Linie: F5L | F5LT2004

Showers | Manual shower

power consumption	1.5 Voltampere
Type of power supply	Battery
protective system IP	IP59K
with rosettes/cover plate	yes
protective shutdown	no
shower pipe draining	no
sound insulation	no
surface finish casing	chromed
surface finish fitting	chromed
surface treatment fitting	polished
temperature limit	yes
thermal disinfection	yes
with transformer/power supply	no
type of batteries	CR-P2 Lithium battery 6V
type of mounting	wall mounting
type of operation	manual operation
type of sensor	opto-electronic sensor
type of shower	wall fitting
Volume flow rate hygiene flush	0.06 l/s
volume flow rate at 3 bar	0.25 l/s
water connection	S-unions
position of water connection	from backside
Accent colour	none
Basic colour	chrome-look (glossy)

### Optional Accessories



**Bidirectional remote control for electronic fittings F3 and F5**

**2030036654**  
ACEX9005



**2-button remote control for fittings F3 and F5**

**2030036849**  
ACEX9004



**AQUAJET-Comfort shower head**

**2030021283**  
SHAC0008



**AQUAJET-Slimline shower head**

**2000103757**  
AQUA757

## KWC

F5L-Therm thermostatic single-lever wall-mounted mixer

Modell-Linie: F5L | F5LT2004  
Showers | Manual shower



**Bent outlet**

**2030050434**  
ACXX2005



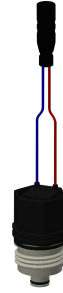
**Bent outlet**

**2030050435**  
ACXX2006



**Shower pipe**

**2030041525**  
ACXX2003



**Solenoid valve cartridge**

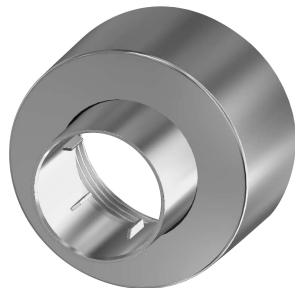
**2030045522**  
ACXX9002

### Spare Parts



**Mounting set**

**2030003401**  
EAQLT0009



**Screw rosette**

**2030046777**  
ASXX9003



**Solenoid valve cartridge**

**2030045522**  
ACXX9002



**Lithium battery 6 V**

**2000104846**  
EPRTR0008



**Sensor, ID 81/00001**

**2030041485**  
ASLM9001



**F5 Foil**

**2030053034**  
ASET2010