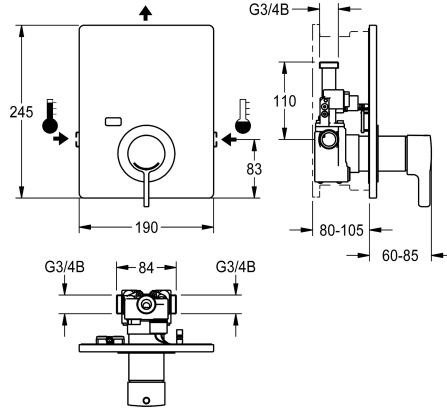


KWC F5L-Therm thermostatic single-lever in-wall mixer

Modell-Linie: F5L | F5LT2007
Showers | Manual shower



KWC-No.

2030066501

F5L-Therm thermostatic single-lever mixer DN 15 as finished installation kit for in-wall installation in basic installation kit, for shower facilities. For connection to hot and cold water. Function block with integrated thermostatic cartridge and pre-assembled hygiene unit including sensor and 6 V lithium battery (CR P2) for automatic hygiene flushing and program-controlled thermal disinfection (additional bypass solenoid valve cartridge necessary) and storage of statistical data. Thermostatically-controlled mixer cartridge with expansion element and active scald protection as

well as adjustable and turn-proof temperature stop, and ceramic disc technology. All-metal construction, visible parts high-polished, chrome-plated. Holding frame including profile seal, stainless-steel cover plate 190 x 245 mm with covered screw fixing, chrome-plated plastic rosette, backflow preventer and strainers. Depth adjustability 25 mm. Activated water hygiene flushing, fixed interval of 24 hours. With option for parameterization and communication via optional, bidirectional remote control.

Technical Data

additional connections	no
with backflow preventer	yes
Built-in fitting model	Finishing section
circulation	no
connection with pay water disp	not possible
Cover plate height	245 mm
Cover plate width	190 mm
default automatic hygiene flus	fixed interval 24 hours
with filter	yes
adjustable flow time	no
functional principle	manual
for hand shower	no
hygiene flushing	yes
diameter nominal	DN 15
inlet size	G 3/4 B
Locking mechanism	Top section, ceramic
material casing	stainless steel
material fitting	brass
minimum flow pressure	1 bar
type of mixing	with thermostat
number of batteries	1
overall height	245 mm
overall width	190 mm



KWC

F5L-Therm thermostatic single-lever in-wall mixer

Modell-Linie: F5L | F5LT2007
Showers | Manual shower

Parameterization	remote control
power supply connection	Battery 6 V
power consumption	1.5 Voltampere
Type of power supply	Battery
with rosettes/cover plate	yes
protective shutdown	no
shower pipe draining	no
surface finish casing	satin finished
surface finish fitting	chromed
surface treatment fitting	polished
temperature limit	yes
thermal disinfection	yes
with transformer/power supply	no
type of batteries	CR-P2 Lithium battery 6V
type of mounting	in-wall installation with box
type of operation	manual operation
type of sensor	opto-electronic sensor
type of shower	in-wall fitting
Volume flow rate hygiene flush	0.09 l/s
volume flow rate at 3 bar	0.23 l/s
water connection	threaded connection (external)
position of water connection	from side
Accent colour	chrome-look (glossy)
Basic colour	stainless steel

Mandatory Accessories



R5 System box for in-wall mixer

2030028990
F5BX2001

Optional Accessories

KWC

F5L-Therm thermostatic single-lever in-wall mixer

Modell-Linie: F5L | F5LT2007
Showers | Manual shower



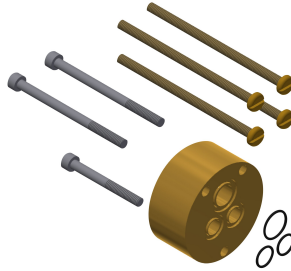
2-button remote control for fittings F3 and F5

2030036849
ACEX9004



Bidirectional remote control for electrical fittings F3 and F5

2030036654
ACEX9005



Extension set for F5L DN 15 single lever mixer

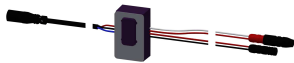
2030044779
ACLM2002



Solenoid valve cartridge

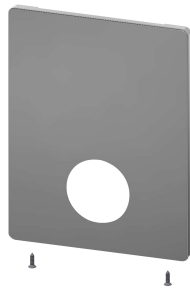
2030003033
EAQFU0001

Spare Parts



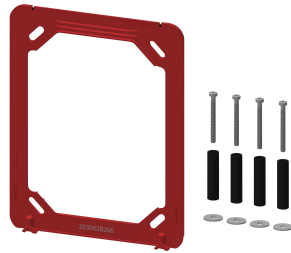
Sensor, ID 81/00001

2030041484
ASLM2001



Cover plate stainless steel

2030045475
ASXM2001



Holding frame

2030045472
ASXX9004



Stainless steel care set

2000109019
ZWSPL0024



Cleaning product CHROMOL

2000105091
ZWSPL0023



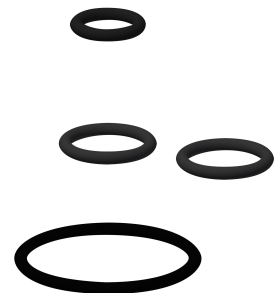
Rosette

2030048765
ASET2006



Backflow preventer DN 6

2030045816
ASXX9002



Spare part set

2030045818
ASLM2005

KWC

F5L-Therm thermostatic single-lever in-wall mixer

Modell-Linie: F5L | F5LT2007
Showers | Manual shower



Lithium battery 6 V

2000104846
EPRT0008
