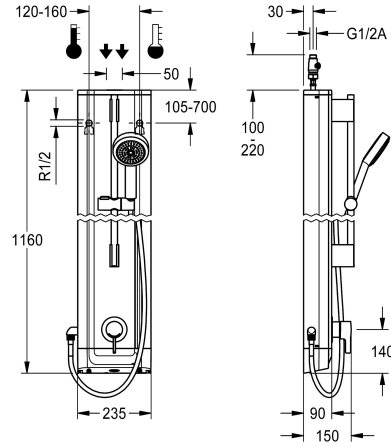


KWC F5L-Therm

Stainless steel shower panel with hand shower fitting

Modell-Linie: F5L | F5LT2023
Showers | Manual shower



KWC-No.

2030066542

F5L-Therm stainless-steel shower panel for wall mounting with single-lever thermostat DN 15 and hand shower fitting kit. For connection to hot and cold water. Function block with integrated mixing cartridge and mechanism for an optional water hygiene unit for automatic water hygiene flushing, program-controlled thermal disinfection (additional bypass solenoid-operated flush valve cartridge necessary) and storage of statistical data. Thermostatically-controlled mixer cartridge with expansion element and active scald protection as well as adjustable and turn-proof temperature stop, and ceramic disc technology. All-metal

construction, visible parts high-polished, chrome-plated. Pre-fitted chrome-plated brass shower rail with height-adjustable hand shower holder and chrome-plated brass hand shower, shower head with rain jet, diameter 110 mm, shower hose 900 mm. Housing made of stainless steel with raised function surface and cover caps made of plastic. With adjustable and lockable connections with backflow preventer and strainers.

Housing dimensions 235 x 1160 x 90 mm (W x H x D)

Technical Data

additional connections	no
with backflow preventer	yes
circulation	no
compatible A3000 open	no
connection with pay water disp	not possible
with filter	yes
adjustable flow time	no
functional principle	manual
for hand shower	yes
hygiene flushing	prepared
diameter nominal	DN 15
inlet size	G 1/2 A
Locking mechanism	Top section, ceramic
material casing	stainless steel
material code casing	1.4301 Chrome Nickel steel V2A
material fitting	brass
minimum flow pressure	1 bar
type of mixing	with thermostat
overall depth	90 mm
overall height	1,160 mm
overall width	235 mm
with rosettes/cover plate	yes

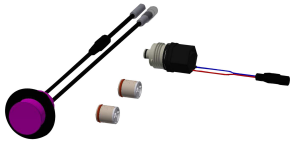


KWC F5L-Therm Stainless steel shower panel with hand shower fitting

Modell-Linie: F5L | F5LT2023
Showers | Manual shower

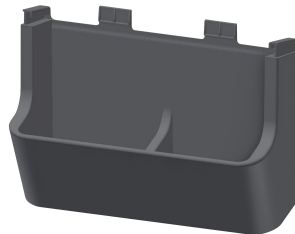
protective shutdown	no
shower pipe draining	no
with shower set	yes
sound insulation	no
surface finish casing	satin finished
surface finish fitting	chromed
surface treatment fitting	polished
temperature limit	yes
thermal disinfection	yes
type of mounting	wall mounting
type of operation	manual operation
type of shower	shower panel
volume flow rate at 3 bar	0.15 l/s
water connection	hose (gland nut)
position of water connection	from top / backside
with soap dish	no
Accent colour	chrome-look (glossy)
Basic colour	stainless steel

Optional Accessories



Hygiene unit for F5L single lever mixer shower panel

2030057065
ACLM2003



Shower gel dish for F5 shower panels made of stainless steel

2030057077
ACXX2021



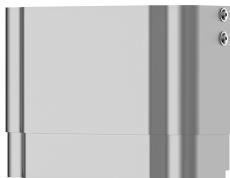
Housing extension for F5 shower panels made of stainless steel

2030057066
ACXX2011



Housing extension for F5 shower panels made of stainless steel

2030057067
ACXX2012



Housing extension for F5 shower panels made of stainless steel



Housing extension for F5 shower panels made of stainless steel



Housing extension for F5 shower panels made of stainless steel

KWC F5L-Therm Stainless steel shower panel with hand shower fitting

Modell-Linie: F5L | F5LT2023
Showers | Manual shower

2030057068
ACXX2013

2030057069
ACXX2014

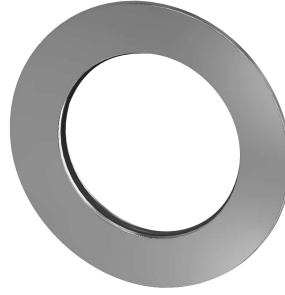
2030057070
ACXX2015

Spare Parts



Hand shower

2030051216
ACXX2007



Flow regulator with filter

2030051583
ASXX2003

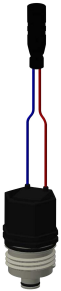
Rosette

2030048765
ASET2006



Stainless steel care set

2000109019
ZWSPL0024



Solenoid valve cartridge

2030003033
EAQFU0001
