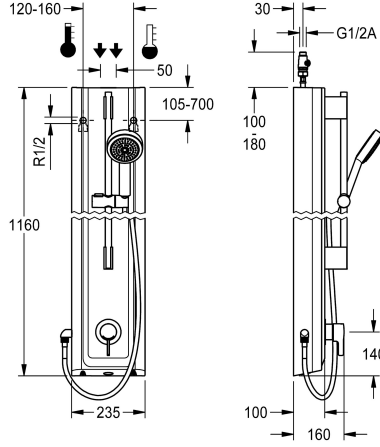


KWC F5L-Therm

Shower panel made of MIRANIT with hand shower fitting

Modell-Linie: F5L | F5LT2028

Showers | Manual shower



KWC-No.

2030066548

F5L-Therm shower panel made from mineral material for wall mounting with single-lever thermostat DN 15 and hand shower fitting kit. For connection to hot and cold water. Function block with integrated mixing cartridge and mechanism for an optional water hygiene unit for automatic water hygiene flushing, program-controlled thermal disinfection (additional bypass solenoid-operated flush valve cartridge necessary) and storage of statistical data. Thermostatically-controlled mixer cartridge with expansion element and active scald protection as well as adjustable and turn-proof temperature stop, and ceramic disc technology. All-metal construction, visible parts high-polished, chrome-plated. Pre-fitted

chrome-plated brass shower rail with height-adjustable hand shower holder and chrome-plated plastic hand shower, shower head with rain jet, diameter 110 mm, shower hose 900 mm. Housing with raised function surface made of MIRANIT resin-bonded mineral material with pore-free smooth surface (temperature-resistant up to 80 °C), Alpine white colour. With adjustable and lockable connections with backflow preventer and strainers.

Dimensions of housing 235 x 1160 x 100 mm (W x H x D)

Technical Data

additional connections
with backflow preventer
circulation
compatible A3000 open
connection with pay water disp
with filter
adjustable flow time
functional principle
for hand shower
hygiene flushing
diameter nominal
inlet size
Locking mechanism
material casing
material code casing
material fitting
minimum flow pressure
type of mixing
overall depth
overall height
overall width
with rosettes/cover plate

no
yes
no
no
not possible
yes
no
manual
yes
prepared
DN 15
G 1/2 A
Top section, ceramic
mineral material
Miranit
brass
1 bar
with thermostat
100 mm
1,160 mm
235 mm
yes



KWC F5L-Therm

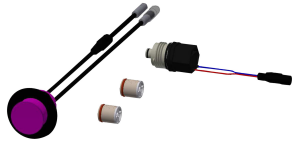
Shower panel made of MIRANIT with hand shower fitting

Modell-Linie: F5L | F5LT2028

Showers | Manual shower

protective shutdown	no
shower pipe draining	no
with shower set	yes
sound insulation	no
surface finish fitting	chromed
surface treatment fitting	polished
temperature limit	yes
thermal disinfection	yes
type of mounting	wall mounting
type of operation	manual operation
type of shower	shower panel
volume flow rate at 3 bar	0.15 l/s
water connection	hose (gland nut)
position of water connection	from top / backside
with soap dish	no
Accent colour	chrome-look (glossy)
Basic colour	white

Optional Accessories



Hygiene unit for F5L single lever mixer shower panel

2030057065
ACLM2003

Housing extension for F5 shower panels made of MIRANIT

2030057071
ACXX2016

Housing extension for F5 shower panels made of MIRANIT

2030057072
ACXX2017

Housing extension for F5 shower panels made of MIRANIT

2030057073
ACXX2018



Housing extension for F5 shower panels made of MIRANIT

2030057075
ACXX2019

Housing extension for F5 shower panels made of MIRANIT

2030057076
ACXX2020

KWC F5L-Therm

Shower panel made of MIRANIT with hand shower fitting

Modell-Linie: F5L | F5LT2028

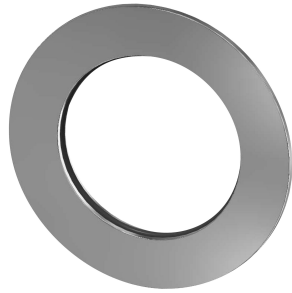
Showers | Manual shower

Spare Parts



Hand shower

2030051216
ACXX2007



Rosette

2030048765
ASET2006
