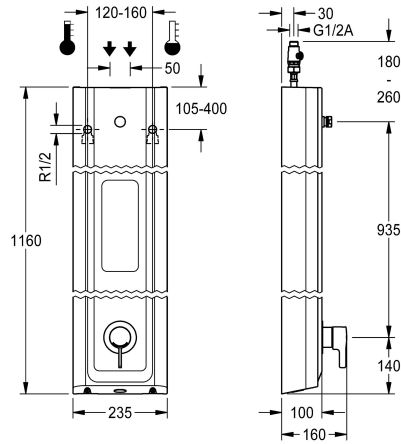


KWC F5L-Therm

Shower panel made of MIRANIT with shower gel shelf

Modell-Linie: F5L | F5LT2029
Showers | Manual shower



KWC-No.

2030066549

F5L-Therm shower panel made from mineral material for wall mounting with single-lever thermostat DN 15 and connecting nozzle for shower head. For connection to hot and cold water. Function block with integrated mixing cartridge and mechanism for an optional water hygiene unit for automatic water hygiene flushing, program-controlled thermal disinfection (additional bypass solenoid-operated flush valve cartridge necessary) and storage of statistical data. Thermostatically-controlled mixer cartridge with expansion element and active scald protection as well as adjustable and turn-proof temperature stop, and ceramic disc technology. All-metal construction, visible parts high-polished,

chrome-plated. Connecting nozzles for separate required DN 15 KWC shower head with pre-fitted flow regulator 9.0 l/min. Housing with raised function surface and seamless moulded shower gel shelf made of MIRANIT resin-bonded mineral material with pore-free smooth surface (temperature-resistant up to 80 °C), Alpine white colour. With adjustable and lockable connections with backflow preventer and strainers.

Housing dimensions 235 x 1160 x 100 mm (W x H x D)

Shower head must be ordered separately.

Technical Data

additional connections

no

with backflow preventer

yes

circulation

no

compatible A3000 open

no

connection with pay water disp

not possible

with filter

yes

adjustable flow time

no

functional principle

manual

for hand shower

no

hygiene flushing

prepared

diameter nominal

DN 15

inlet size

G 1/2 A

Locking mechanism

Top section, ceramic

material casing

mineral material

material code casing

Miranit

material fitting

brass

minimum flow pressure

1 bar

type of mixing

with thermostat

overall depth

100 mm

overall height

1,160 mm

overall width

235 mm

with rosettes/cover plate

yes



KWC F5L-Therm

Shower panel made of MIRANIT with shower gel shelf

Modell-Linie: F5L | F5LT2029

Showers | Manual shower

protective shutdown	no
shower pipe draining	no
Shower head	for separately shower head
with shower set	no
sound insulation	no
surface finish fitting	chromed
surface treatment fitting	polished
temperature limit	yes
thermal disinfection	yes
type of mounting	wall mounting
type of operation	manual operation
type of shower	shower panel
volume flow rate at 3 bar	0.15 l/s
water connection	hose (gland nut)
position of water connection	from top / backside
with soap dish	integrated
Accent colour	chrome-look (glossy)
Basic colour	white

Mandatory Accessories



AQUAJET-Slimline shower head for KWC shower panels and systems

2030054255
SHAS0011



AQUAJET-Comfort shower head for KWC shower panels and systems

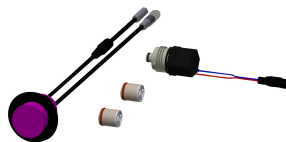
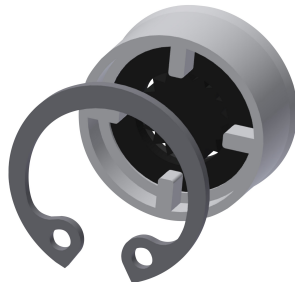
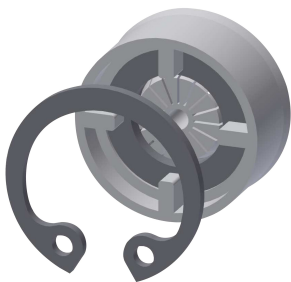
2030054254
SHAC0011



MÜNCHEN shower head for KWC shower panels and systems

2030054793
SHMU0011

Optional Accessories



KWC F5L-Therm

Shower panel made of MIRANIT with shower gel shelf

Modell-Linie: F5L | F5LT2029

Showers | Manual shower

Flow controller 6.0 l/min

2030027586
ESHHE0004

Flow controller 12.0 l/min

2000104783
ESHHE0002

Hygiene unit for F5L single lever mixer shower panel

2030057065
ACLM2003

Housing extension for F5 shower panels made of MIRANIT

2030057071
ACXX2016



Housing extension for F5 shower panels made of MIRANIT

2030057072
ACXX2017

Housing extension for F5 shower panels made of MIRANIT

2030057073
ACXX2018

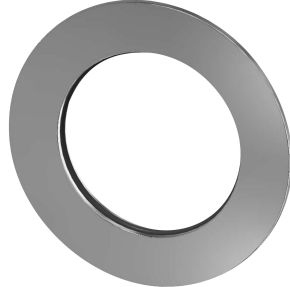
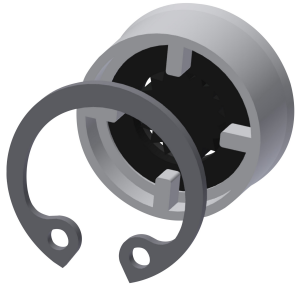
Housing extension for F5 shower panels made of MIRANIT

2030057075
ACXX2019

Housing extension for F5 shower panels made of MIRANIT

2030057076
ACXX2020

Spare Parts



Flow controller 9.0 l/min

2000104782
ESHHE0001

Rosette

2030048765
ASET2006