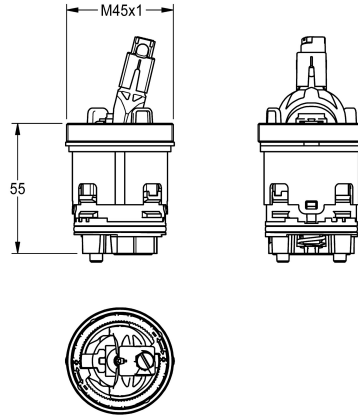
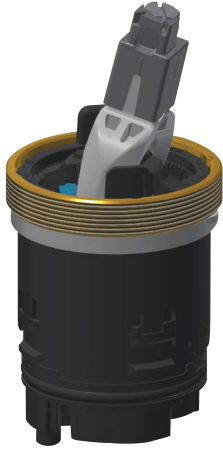


KWC

Ceramic disc cartridge

Modell-Linie: F5L | ASLT9002

Pièces de rechange | Pièces de rechange robinetterie



KWC-No.

2030066567

Thermostatically-controlled mixer cartridge with expansion element and active scald protection as well as adjustable and turn-proof

temperature stop, and ceramic disc technology, for single-lever mixer.

Données techniques

Application

WASHING-SHOWERING

Type de cartouche

CERAMIC-CARTRIDGE

Diametro nominale

DN 15

ATT-WS-REMOTE-CONTRO

Non

teamNumber

0