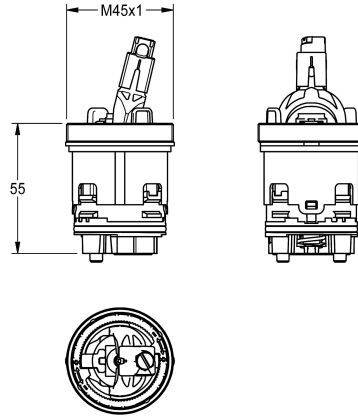
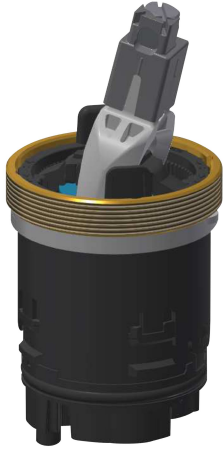


KWC

Ceramic disc cartridge

Modell-Linie: F5L | ASLT9002

Ricambi | Accessori per rubinetterie per lavabi



KWC-No.

2030066567

Thermostatically-controlled mixer cartridge with expansion element and active scald protection as well as adjustable and turn-proof

temperature stop, and ceramic disc technology, for single-lever mixer.

Dati tecnici

Applicazione

WASHING-SHOWERING

ATT-WS-CARTRIDGE-TYP

CERAMIC-CARTRIDGE

ATT-WS-DIAFIT

DN 15

ATT-WS-REMOTE-CONTRO

No

teamNumber

0