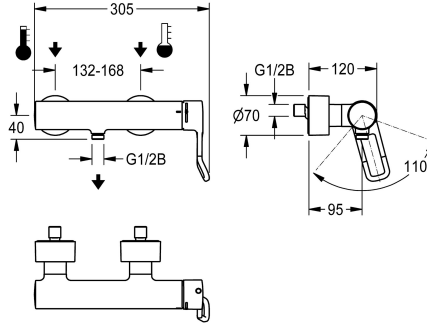


KWC F4LT-Med

Thermostatic single-lever wall-mounted mixer with hand shower connection

Modell-Linie: F4 | F4LT2003

Showers | Manual shower



KWC-No.

2030066757

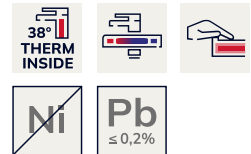
F4LT-Med thermostatic single lever mixer as DN 15 wall-mounted mixer for wall mounting, for shower facilities in the healthcare and nursing sectors, with 118 mm lever. Thermostat-controlled mixer cartridge with expansion element and active scald protection, fail-safe against backflow as well as adjustable and turn-proof temperature stop, and ceramic disc technology. Without additional backflow preventer for optimised drinking water hygiene. Lever cap with an ergonomic bracket design and slight curvature in the front with basalt-grey coating, in line with two-senses principle (tactile

and visual). For connection to hot and cold water. Tap optimised for cleaning, scald-protected, safe-touch housing with hand shower connection, G 1/2 B. All-metal construction, polished chromium-plated brass. Decoupled from the tap housing, volume-reduced, smooth water flow from low-lead brass (lead proportion $\leq 0,2\%$), and without nickel coating. With thermal insulation components to reduce heat transfer from the tap housing to the cold-water line. With adjustable and lockable connections with strainers, fully covered by depth-adjustable screw rosettes.

Technical Data

| |
|--------------------------------|
| additional connections |
| circulation |
| compatible A3000 open |
| connection with pay water disp |
| functional principle |
| for hand shower |
| diameter nominal |
| inlet size |
| Locking mechanism |
| material fitting |
| type of mixing |
| shower pipe draining |
| surface finish fitting |
| surface treatment fitting |
| temperature limit |
| type of mounting |
| type of operation |
| type of shower |
| volume flow rate at 3 bar |
| water connection |
| position of water connection |
| Accent colour |
| Basic colour |

| |
|----------------------|
| no |
| no |
| no |
| not possible |
| manual |
| yes |
| DN 15 |
| G 1/2 B |
| Top section, ceramic |
| brass |
| with thermostat |
| no |
| chromed |
| polished |
| yes |
| wall mounting |
| manual operation |
| wall fitting |
| 0,22 l/s |
| S-unions |
| from backside |
| none |
| chrome-look (glossy) |



KWC F4LT-Med

Thermostatic single-lever wall-mounted mixer with hand shower connection

Modell-Linie: F4 | F4LT2003

Showers | Manual shower

Optional Accessories



Hand shower

2030051216
ACXX2007



Shower bracket

2030051217
ACXX2008



Drain valve for automatic shower hose drainage

2030068123
ACXX2009

Spare Parts



Screw rosette

2030046777
ASXX9003