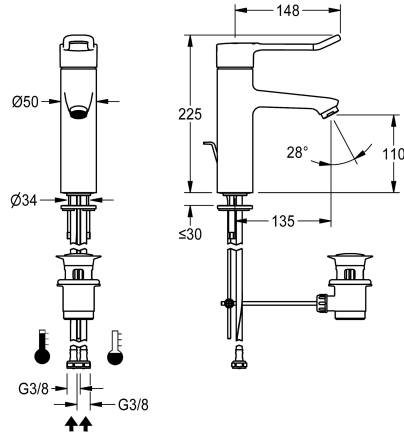


KWC F4LT-Med

Thermostatic single-lever pillar mixer with pop-up waste set

Modell-Linie: F4 | F4LT1003
Taps | Manual taps



KWC-No.

2030067801

2030068120
With connection pipes

water connection

hose (gland nut)

pipe

F4LT-Med thermostatic single lever mixer as DN 15 pillar mixer for sanitary facilities in the healthcare and nursing sectors, with 148 mm lever. Thermostat-controlled mixer cartridge with expansion element and active scald protection, fail-safe against backflow as well as adjustable and turn-proof temperature stop, and ceramic disc technology. Without additional backflow preventer for optimised drinking water hygiene. Lever cap with an ergonomic bracket design and slight curvature in the front with basalt-grey

coating, in line with two-senses principle (tactile and visual). For connection to hot water and cold water via hoses, includes strainers. Tap optimised for cleaning, all-metal construction, polished chromium-plated low-lead brass (lead proportion $\leq 0.2\%$), with volume-reduced water flow without nickel coating. Laminar jet controller with integrated flow rate controller 8.0 l/min, projection 135 mm. With chrome-plated pop-up waste set waste fitting kit G 1 1/4.

Technical Data

with backflow preventer

depressurised

with filter

functional principle

diameter nominal

inlet size

Locking mechanism

material fitting

minimum flow pressure

type of mixing

Pop-up waste set

with rosettes/cover plate

Spout

surface finish fitting

surface treatment fitting

temperature limit

type of mounting

type of operation

type of tap

volume flow rate at 3 bar

water connection

Accent colour

no

no

yes

manual

DN 15

G 3/8

Top section, ceramic

brass

1 bar

with thermostat

yes

no

fixed

chromed

polished

yes

tap hole

manual operation

pillar tap

0.13 l/s

hose (gland nut)

none



KWC F4LT-Med

Thermostatic single-lever pillar mixer with pop-up waste set

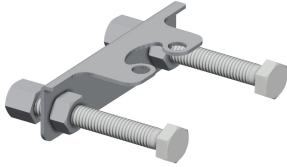
Modell-Linie: F4 | F4LT1003

Taps | Manual taps

Basic colour

chrome-look (glossy)

Optional Accessories



Anti-twist protection

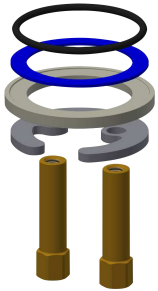
2030041324
ACLM1009



Theft-proof housing for aerator

2000104778
ZTAPS0005

Spare Parts



Quick-action fastener

2030010045
EAQFT0005



Hose

2030041311
ASXX1005



Pop-up waste set

2030045528
ASLM1004