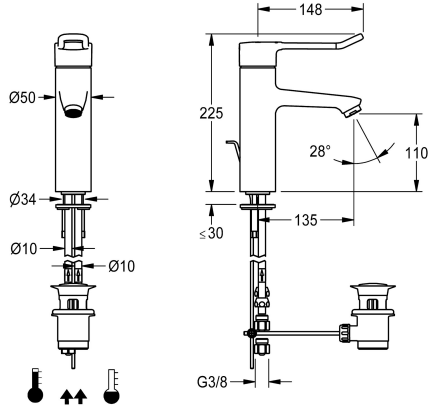


KWC F4LT-Med

Thermostatic single-lever pillar mixer with pop-up waste set

Modell-Linie: F4 | F4LT1009

Taps | Manual taps



KWC-No.

2030067801

2030068120

With connection pipes

water connection

hose (gland nut)

pipe

F4LT-Med thermostatic single lever mixer as DN 15 pillar mixer for sanitary facilities in the healthcare and nursing sectors, with 148 mm lever. Thermostat-controlled mixer cartridge with expansion element and active scald protection, fail-safe against backflow as well as adjustable and turn-proof temperature stop, and ceramic disc technology. Without additional backflow preventer for optimised drinking water hygiene. Lever cap with an ergonomic bracket design and slight curvature in the front with basalt-grey

coating, in line with two-senses principle (tactile and visual). For connection to hot water and cold water via pipes, includes strainers. Tap optimised for cleaning, all-metal construction, polished chromium-plated low-lead brass (lead proportion $\leq 0.2\%$), with volume-reduced water flow without nickel coating. Laminar jet controller with integrated flow rate controller 8.0 l/min, projection 135 mm. With chrome-plated pop-up waste set waste fitting kit G 1 1/4.

Technical Data

with backflow preventer

depressurised

with filter

functional principle

diameter nominal

inlet size

Locking mechanism

material fitting

minimum flow pressure

type of mixing

Pop-up waste set

with rosettes/cover plate

Spout

surface finish fitting

surface treatment fitting

type of mounting

type of operation

type of tap

volume flow rate at 3 bar

water connection

Accent colour

Basic colour

no

no

yes

manual

DN 15

G 3/8

Top section, ceramic

brass

1 bar

with thermostat

yes

no

fixed

chromed

polished

tap hole

manual operation

pillar tap

0.13 l/s

pipe

none

chrome-look (glossy)

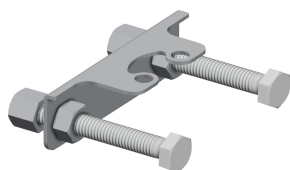


KWC F4LT-Med

Thermostatic single-lever pillar mixer with pop-up waste set

Modell-Linie: F4 | F4LT1009
Taps | Manual taps

Optional Accessories



Anti-twist protection

2030041324
ACLM1009
