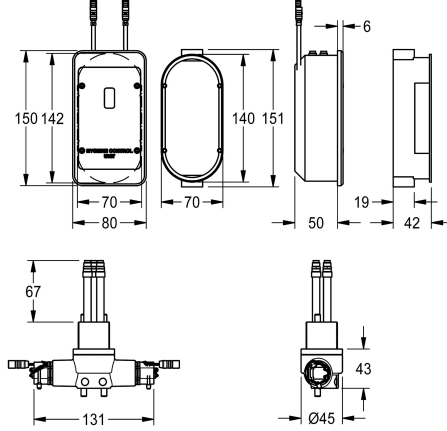


KWC F5L

Hygiene unit for in-wall installation for single lever mixers

Modell-Linie: F5 | ACLX1007

Taps | Complementary parts taps



KWC-No.

2030068987

Hygiene unit for in-wall installation for F5L single lever mixers with projection 100 mm

2030068988

Hygiene unit for in-wall installation for single lever mixers with projection 125 mm

Hygiene unit for F5L single lever mixer, projection 125 mm, for performing automatic hygiene flushing and program-controlled thermal disinfection. Function block with 2 solenoid valve cartridges and an electronic control unit for installation in walls with flush box and cover made of plastic 150 x 80 mm, for battery or mains operation, 6 V DC. Activated water hygiene flushing, fixed interval of

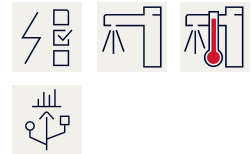
24 hours and saving of statistical data. With option for parameterization and communication via optional, bidirectional remote control.

Battery compartment incl. battery or wall-mounted power supply unit must be ordered separately.

Technical Data

quantity	1
quantity uom	piece

quantity	1
quantity uom	piece



Mandatory Accessories



Battery compartment

360002063

ACEX9023

In-wall power supply

2030039825

ACEX9003

KWC F5L

Hygiene unit for in-wall installation for single lever mixers

Modell-Linie: F5 | ACLX1007

Taps | Complementary parts taps

Optional Accessories



**Bidirectional remote control for
electronical fittings F3 and F5**

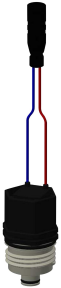
2030036654
ACEX9005



**2-button remote control for fittings F3
and F5**

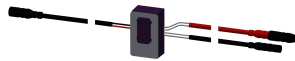
2030036849
ACEX9004

Spare Parts



Solenoid valve cartridge

2030045522
ACXX9002



Sensor, ID 82/00001

2030041487
ASLM1003