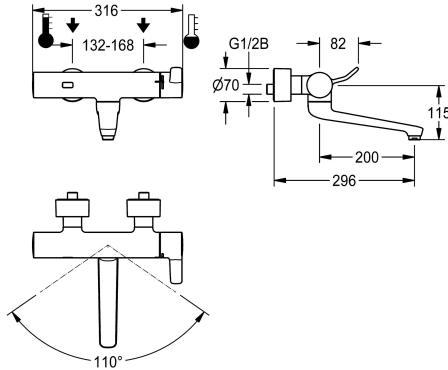


KWC F4ET-Med Thermostatic wall-mounted mixer

Modell-Linie: F4 | F4ET1002
Taps | Electronic taps



KWC-No.

2030072425

F4ET-Med thermostatic wall-mounted mixer as DN 15 wall-mounted mixer, for wall mounting with lockable swivelling spout, for surgical sanitary facilities in the healthcare and nursing sector. Opto-electronically controlled, triggered by hand movement with subsequent automatic switching to body detection. Thermostat with metal handle, including lever for reduced-touch operation, and adjustable, turn-proof temperature stop. With the option of manual thermal disinfection. For connecting to hot and cold water. Control electronics, stagnation-free hygiene solenoid valve cartridge, flow rate controller 9.0 l/min, 6 V lithium battery (CR-P2) and sensor in the scald-protected safe-touch housing, polished chromium-plated

brass. Decoupled from the tap housing, volume-reduced, smooth water flow from low-lead brass (lead proportion $\leq 0.2\%$), and without nickel coating. With thermal insulation components to reduce heat transfer from the tap housing to the cold-water line. Self-emptying spout with laminar jet controller. With adjustable and lockable connections with backflow preventers and strainers, fully covered by depth-adjustable screw rosettes. 296 mm projection. Activated water hygiene flushing 24 hours after last activation, safety switch-off for continuous reflection and saving of statistical data. With option for parametrisation and communication via optional, bidirectional remote control.

Technical Data

with backflow preventer

compatible A3000 open

default automatic hygiene flush

depressurised

with filter

adjustable flow time

functional principle

hygiene flushing

diameter nominal

inlet size

Locking mechanism

material fitting

maximum flow time

minimum flow pressure

minimum flow time

type of mixing

number of batteries

overall depth

overall width

Parameterization

Pop-up waste set

yes

no

24h after the last activity

no

yes

yes

electronic self-closing

yes

DN 15

G 1/2 B

Top section, non-ceramic

brass

255 Seconds

1 bar

1 Seconds

with thermostat

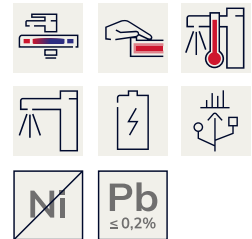
1

296 mm

316 mm

remote control

no



KWC F4ET-Med Thermostatic wall-mounted mixer

Modell-Linie: F4 | F4ET1002
Taps | Electronic taps

power supply connection	Battery 6 V
Type of power supply	Battery
protective system IP	IP59K
with rosettes/cover plate	yes
protective shutdown	yes
Spout	rotating, bottom
spout projection	200 mm
surface finish fitting	chromed
surface treatment fitting	polished
temperature limit	yes
thermal disinfection	manual thermal disinfection
with transformer/power supply	no
type of batteries	CR-P2 Lithium battery 6V
type of mounting	wall mounting
type of operation	sensor operation
type of sensor	opto-electronic sensor
type of tap	bib tap
volume flow rate at 3 bar	0,15 l/s
water connection	S-unions
Accent colour	none
Basic colour	chrome-look (glossy)

Optional Accessories



**Bidirectional remote control for
electronical fittings F3 and F5**

2030036654
ACEX9005



**2-button remote control for fittings F3
and F5**

2030036849
ACEX9004

Spare Parts

KWC F4ET-Med Thermostatic wall-mounted mixer

Modell-Linie: F4 | F4ET1002
Taps | Electronic taps



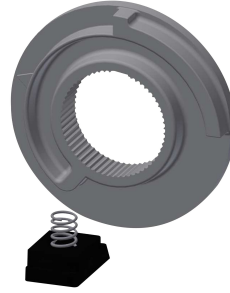
Lithium battery 6 V

2000104846
EPRTR0008



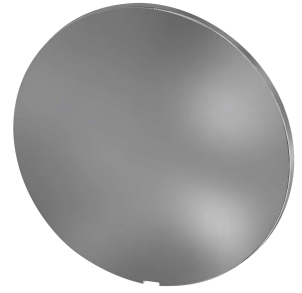
F5 Foil

2030053034
ASET2010



Temperature stop

2030003296
EAQLT0003



Cover

2030003258
EAQLT0002