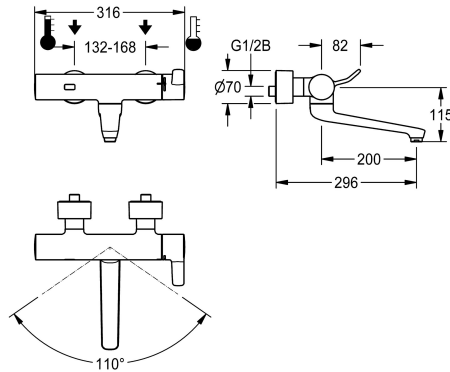


## KWC F4ET-Med Thermostatic wall-mounted mixer

Modell-Linie: F4 | F4ET1002  
Kranar | Elektroniska kranar



### KWC-No.

**2030072425**

F4ET-Med thermostatic wall-mounted mixer as DN 15 wall-mounted mixer, for wall mounting with lockable swivelling spout, for surgical sanitary facilities in the healthcare and nursing sector. Opto-electronically controlled, triggered by hand movement with subsequent automatic switching to body detection. Thermostat with metal handle, including lever for reduced-touch operation, and adjustable, turn-proof temperature stop. With the option of manual thermal disinfection. For connecting to hot and cold water. Control electronics, stagnation-free hygiene solenoid valve cartridge, flow rate controller 9.0 l/min, 6 V lithium battery (CR-P2) and sensor in the scald-protected safe-touch housing, polished chromium-plated

brass. Decoupled from the tap housing, volume-reduced, smooth water flow from low-lead brass (lead proportion  $\leq 0.2\%$ ), and without nickel coating. With thermal insulation components to reduce heat transfer from the tap housing to the cold-water line. Self-emptying spout with laminar jet controller. With adjustable and lockable connections with backflow preventers and strainers, fully covered by depth-adjustable screw rosettes. 296 mm projection. Activated water hygiene flushing 24 hours after last activation, safety switch-off for continuous reflection and saving of statistical data. With option for parametrisation and communication via optional, bidirectional remote control.

### Technical Data

ATT-WS-BACKFLOWPREVENTER

Ja

ATT-WS-COMPA30000

Nej

Standard automatisk hygien spolning

24 timmar efter den senaste operationen

Nedtryckt

Nej

med filter

Ja

Justerbar flödestid

Ja

Funktionell princip

Elektronisk självstängande

ATT-WS-HYGIENE-FLUSH

Ja

Nominell diameter

DN 15

Inbyggnadsmått

G 1/2 B

ATT-WS-LOCKINGMECHANISM

TOP-NONCERAMIC

Material delar

Mässing

Maximal flödestid

255 Sekunder

Minimalt flödestryck

1 bar

Minimal flödes tid

1 Sekunder

Typ av blandning

Med termostat

Antal batterier

1

Övergripande djup

296 mm

Total bredd

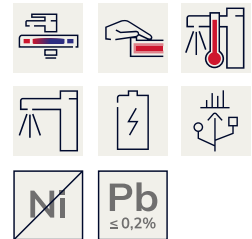
316 mm

ATT-WS-PARAMETERIZATION

REMOTECONTROL

ATT-WS-POPUWASTESET

Nej



## KWC F4ET-Med Thermostatic wall-mounted mixer

**Modell-Linie: F4 | F4ET1002**  
Kranar | Elektroniska kranar

Kraft försörjnings anslutning	Batteri 6 V
ATT-WS-POWTYPE	BATTERY
Skydds system IP	59K
ATT-WS-ROSETTES	Ja
Säkerhetsavstängning	Ja
ATT-WS-SPOUT	ROTATING-BOT
Sprut kastare	200 mm
yt finish	Förkromad
ATT-WS-SURTREATFIT	POLISHED
ATT-WS-TEMPERATURELIMIT	Ja
terminal för desinfektion	MANUAL
ATT-WS-TRANSFORMER	Nej
Typ av batterier	CR-P2
Typ av montering	Väggmontering
Typ av operation	Sensor styrning
Typ av sensor	Utan elektronisk sensor
Typ av kran	Tvågreppsblandare
ATT-WS-VOLFLOWRATE3	0.15 l/s
ATT-WS-WATCON	SUNION
Accentfärg	NONE
Basfärg	CHROME-GLOSSY

### Extratillbehör



**Bidirectional remote control for  
electronical fittings F3 and F5**

**2030036654**  
ACEX9005



**2-button remote control for fittings F3  
and F5**

**2030036849**  
ACEX9004

### Reservdelar



**KWC F4ET-Med**  
Thermostatic wall-mounted mixer

**Modell-Linie: F4 | F4ET1002**  
Kranar | Elektroniska kranar



**Battery compartment**

---

**360002063**  
ACEX9023

---