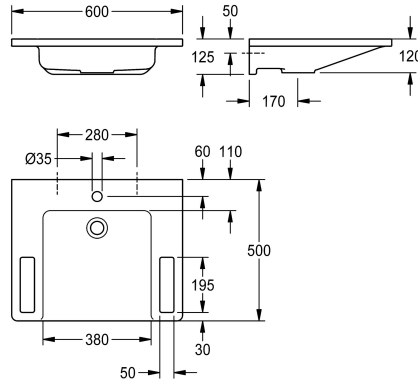


## KWC EXOS.

Single washbasin made of MIRANIT

Modell-Linie: EXOS | ANMW0001N

Washbasins & Washtroughs | Wash basins



### KWC-No.

**2030073252**

EXOS, single washbasin made of MIRANIT resin-bonded mineral material with pore-free, smooth surface (temperature-resistant up to 80 °C), Alpine white colour. Roll-under, with integrated grab rails, storage areas, seamless moulded bowl, without overflow, with tap hole 35 mm (D). Mounting on washbasin back panel, including

mounting material.

Dimensions 600 x 125 x 500 mm (W x H x D)  
Bowl dimensions 380 x 98 x 390 mm (W x H x D)

### Technical Data

barrier-free
type of basin
bowl position
bowl shape
colour
material
material code
overall depth
overall width
overflow
rear upstand
siphon included
number of tap holes
tap hole diameter
tap hole position
tap ledge
type of mounting
waste hole position
waste kit included
waste size
waste sleeve included

yes
single / multiple pay water di
Center
rectangle
alpinewhite
mineral material
Miranit
500 mm
600 mm
no
no
no
1
35 mm
middle
yes
wall mounting
centre back
yes
DN 32
yes



### Optional Accessories

## KWC EXOS.

Single washbasin made of MIRANIT

Modell-Linie: EXOS | ANMW0001N

Washbasins & Washtroughs | Wash basins



**Dome waste valve, chrome-plated**

---

**2030057337**  
ZANMW0030

---

**Dome waste valve, white**

---

**2030057339**  
ZANMW0031

---