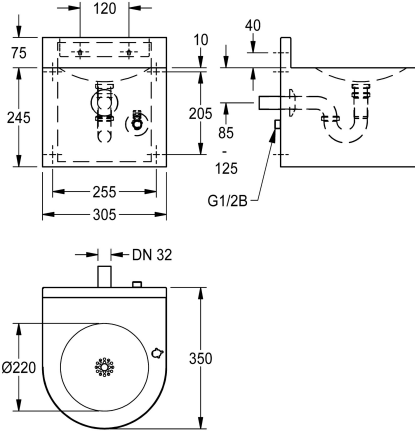


KWC ANIMA Wall-mounted drinking fountain

Modell-Linie: ANIMA | ANMX33L
Drinking fountains | Drinking fountains



KWC-No.

213.0649.011

ANIMA wall-mounted drinking fountain, stainless steel, satin finished surface, material thickness 1.2 mm, seamlessly integrated round bowl without overflow, with tap hole, enclosed design with screwed-on inspection cover and circumferential apron, strainer waste G 1 1/4 B with siphon DN 32, including mounting material.

Dimensions 305 x 320 x 350 mm (W x H x D)
Bowl dimensions 220 x 33 mm (D x H)

Drinking fountain tap or bottle filler tap must be ordered separately.

Technical Data

bottle filler
bowl - bowl height
bowl - depth
bowl - width
drinking bubbler
glass filler
material
material code
material thickness
outlet size
overall depth
overall height
overall width
surface finish
type of mounting
waste hole position
waste kit included

optional
33 mm
220 mm
220 mm
optional
optional
stainless steel
1.4301 Chrome Nickel steel V2A
1.2 mm
DN 32
350 mm
320 mm
305 mm
satin finished
wall mounting
centre
yes

Mandatory Accessories

KWC ANIMA

Wall-mounted drinking fountain

Modell-Linie: ANIMA | ANMX33L

Drinking fountains | Drinking fountains



ANIMA drinking fountain tap

213.0654.085
ANMX-BU



Self-closing drinking bubbler

2000101118
AQRM304



ANIMA bottle filler tap

213.0654.086
ANMX-BT

Optional Accessories



ANIMA apron

213.0651.922
ANMX-S2

Spare Parts



Stainless steel care set

2000109019
ZWSPL0024



Cleaning product CHROMOL

2000105091
ZWSPL0023

KWC ANIMA

Wall-mounted drinking fountain

Modell-Linie: ANIMA | ANMX33L

Drinking fountains | Drinking fountains

Consumables



Cleaning product CHROMOL

2000105091

ZWSPL0023
