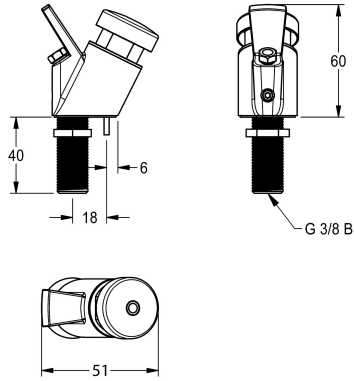


KWC ANIMA Drinking fountain tap

Modell-Linie: ANIMA | ANMX-BU
Drinking fountains | Complementary parts water dispensers



KWC-No.

213.0654.085

Drinking fountain tap with push button

ANIMA drinking fountain tap for drinking fountains made of stainless steel or resin-bonded mineral MIRANIT, with push button,

adjustable water jet, chrome-plated brass housing with anti-twist protection, G 3/8 B connection.

Technical Data

inlet size
material fitting
type of mixing
surface finish casing
surface finish fitting
type of mounting
type of operation
type of tap

DN 10
brass-look
no
chromed
chromed
mounted on product
manual operation
pillar tap