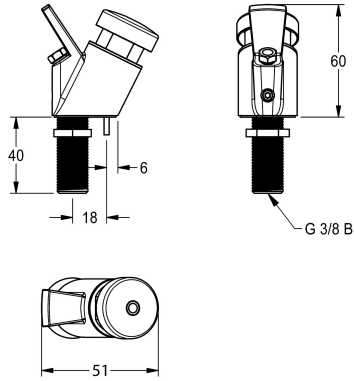


KWC ANIMA Drinking fountain tap

Modell-Linie: ANIMA | ANMX-BU
Drinking fountains | Complementary parts water dispensers



KWC-No.

213.0654.085

Drinking fountain tap with push button

ANIMA drinking fountain tap for drinking fountains made of stainless steel or resin-bonded mineral MIRANIT, with push button,

adjustable water jet, chrome-plated brass housing with anti-twist protection, G 3/8 B connection.

Technical Data

inlet size
material fitting
type of mixing
surface finish casing
surface finish fitting
type of mounting
type of operation
type of tap

DN 10
brass
no
chromed
chromed
mounted on product
manual operation
pillar tap