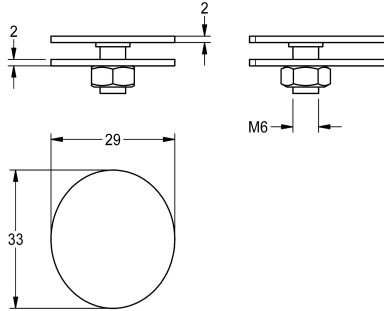
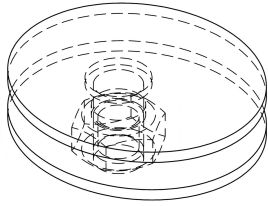


## KWC Tap hole cover

Modell-Linie: ANIMA | ANMXCAP  
Ricambi | Ricambi per beverini



### KWC-No.

**213.0659.898**

Tap hole cover for ANIMA drinking fountains, manufactured from stainless steel with satin finish material thickness 1.5 mm.

### Dati tecnici

teamNumber

0