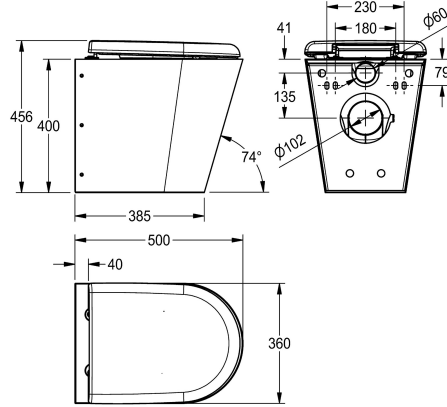


KWC CAMPUS Floor standing WC pan

Modell-Linie: **CAMPUS | CMPX597WN**
WCs and urinals | WCs



KWC-No.

2000100153

Version for installation from the front, with mounting plate and anti-theft screw fixings

2000100154

With 2 toilet seat pads

3600000655

With black toilet seat

3600000656

With grey toilet seat

3600000657

With white toilet seat

type of toilet seat

no seat

synthetic seat pad

synthetic hinged seat with lid

synthetic hinged seat with lid

synthetic hinged seat with lid

Floor standing WC pan with shroud to the floor, stainless steel, surface satin finished, material thickness 1,5 mm, flushing certificated to EN 997, concealed flushing rim with min. 4 litre flushing capacity, with a shrouded 100 mm diameter horizontal 'P' trap outlet, pressed seat area tapered towards centre, all edges

curved, fixing with included mounting plate conform to EN 33, includes safety screws. 4 litre flush EN997 approved.

With white WC-seat

Dimensions 360 x 456 x 500 mm (W x H x D)

Technical Data

inlet size

DN 55

material

stainless steel

material code

1.4301 Chrome Nickel steel V2A

material thickness

1.5 mm

minimum flushing capacity

4 Liter

outlet size

DN 100

overall depth

500 mm

overall height

456 mm

overall width

360 mm

toilet seat colour

white

surface finish

satin finished

type of mounting

wall mounting

type of toilet seat

synthetic hinged seat with lid

type of WC

wall hung

Spare Parts

KWC CAMPUS Floor standing WC pan

Modell-Linie: **CAMPUS | CMPX597WN**
WCs and urinals | WCs



Toilet seat

360000624
ECMPX592-SEATGN



Toilet seat

360000626
ECMPX592-SEATBN



Toilet seat

360000627
ECMPX592-SEATWN

Hinge

360000658
ECMPX0058N
