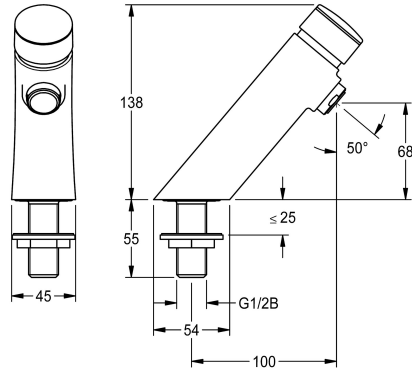


## KWC F3S self-closing pillar tap

Modell-Linie: F3S | F3SV1101  
Taps | Self closing taps



### KWC-No.

**3600001423**

**2030049135**

with anti-blocking system 2 (ABS2) for safety switch-off when actuated continuously

### protective shutdown

no

yes

F3S Self-closing pillar tap DN 15 for sanitary facilities. Self-closing cartridge, hydraulically controlled, piston-free design, self-closing, stepless adjustment of flow duration. For connection to pre-mixed

hot water or cold water. Casing, high-polished chromium-plated brass. Aerator with an integrated flow regulator 3.0 l/min.

### Technical Data

with backflow preventer

no

compatible A3000 open

no

depressurised

no

with filter

no

adjustable flow time

yes

functional principle

hydraulic self-closing

hygiene flushing

no

diameter nominal

DN 15

inlet size

G 1/2 B

Locking mechanism

Top section, non-ceramic

material fitting

brass

maximum flow time

20 Seconds

minimum flow pressure

1 bar

minimum flow time

5 Seconds

type of mixing

no

Pop-up waste set

no

with rosettes/cover plate

no

protective shutdown

no

sound insulation

no

Spout

fixed

spout projection

100 mm

surface finish fitting

chromed

surface treatment fitting

polished

temperature limit

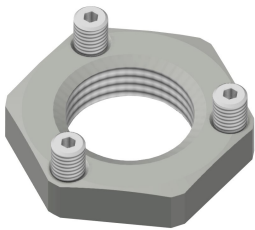
no

## KWC F3S self-closing pillar tap

**Modell-Linie: F3S | F3SV1101**  
Taps | Self closing taps

thermal disinfection	no
type of mounting	tap hole
type of operation	manual operation
type of tap	pillar tap
volume flow rate at 3 bar	0.05 l/s
water connection	threaded connection (external)
Accent colour	none
Basic colour	chrome-look (glossy)

### Optional Accessories



**Anti-twist protection**

**2030041946**  
ACSV1001



**PURETHERM under-table thermostat**

**2030012758**  
PURE0031

### Spare Parts



**Functional part**

**2000104372**  
ETAPS0001



**3.0 l/min. aerator**

**2030041424**  
ASXX1008