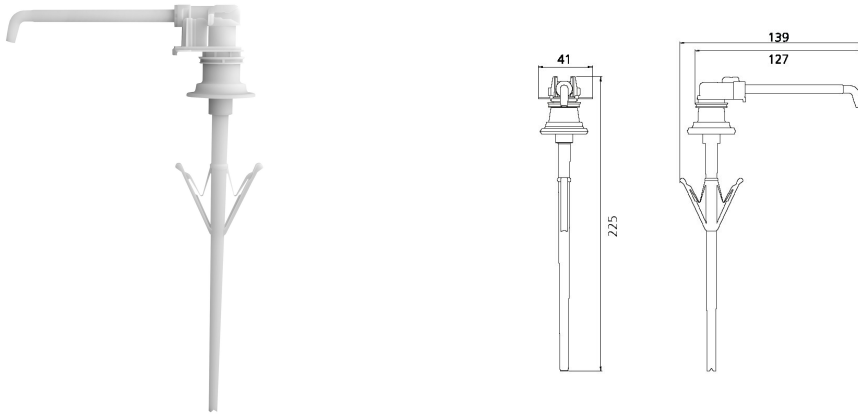


KWC MEDCARE

Disposable plastic pump for MEDCARE dispenser

Modell-Linie: MEDCARE | CMEDC10P
Consumables | Consumables Accessories



KWC-No.

360003360

Disposable plastic pump for MEDCARE dispenser, 500 ml.
Packaging unit 250 pieces.

360003361

Disposable plastic pump for MEDCARE Spender, 1000 ml.
Packaging unit 200 pieces.

Disposable plastic pump for MEDCARE dispenser 1000 ml, dosage
1.5 ml/stroke, recyclable, individually packed in polybag for

hygiene, packaging unit 200 pieces.

NEW

Technical Data

overall depth	139 mm
overall height	225 mm
overall width	41 mm
quantity	200
quantity uom	pieces