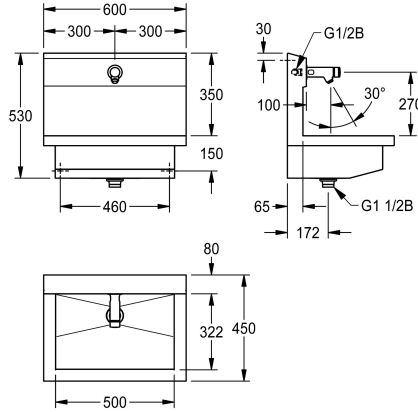
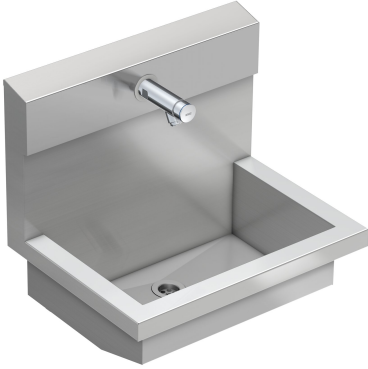


## KWC PLANOX

Washbasin unit with self-closing bibtap

Modell-Linie: PLANOX | PL6USV

Washbasins & Washtroughs | Washtroughs



### KWC-No.

**360004023**

with one wash place  
Dimensions 600 x 530 x 440 mm (W x H x D)

PLANOX washbasin unit with seamless welded trough, one wash place, suitable for wall mounting, for connection to premixed hot water or cold water from the rear right or left. Stainless steel housing, satin finish, material thickness 1.5 mm. Centre waste, G 1 1/2 B flat perforated waste, including mounting material. Ready for connection, with mounted F3S self-closing bibtap, hydraulically

controlled, piston-free design, self-closing, fully adjustable flow time, polished chromium-plated brass housing. Aerator with integrated flow rate controller 3,0 l/min.

Dimensions 600 x 530 x 440 mm (W x H x D)  
Wash place width 600 mm

NEW

### Technical Data

material
material code
number of waste holes
overall width
rear upstand
splash back
surface finish
type of mounting
type of waste kit
waste hole position
waste kit included

stainless steel
1.4301 Chrome Nickel steel V2A
1
600 mm
no
yes
satin finished
wall mounting
perforated waste
centre
yes

### Optional Accessories



## KWC PLANOX

Washbasin unit with self-closing bibtap

Modell-Linie: PLANOX | PL6USV

Washbasins & Washtroughs | Washtroughs

### Theft-proof housing for aerator

**2000104778**  
ZTAPS0005

### Hexagonal socket wrench

**2000106127**  
ZFITG0003

### Stainless steel care set

**2000109019**  
ZWSPL0024

### Cleaning product CHROMOL

**2000105091**  
ZWSPL0023

## Spare Parts



### O-Ring, red

**2030042949**  
ASSV1002

### O-Ring, blue

**2030042950**  
ASSV1003

### Functional part

**2000104372**  
ETAPS0001

### 3.0 l/min. aerator

**2030041424**  
ASXX1008



### Cleaning product CHROMOL

**2000105091**  
ZWSPL0023