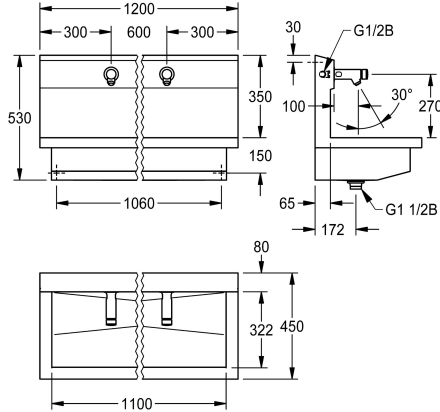


KWC PLANOX

Washbasin unit with self-closing bibtaps

Modell-Linie: PLANOX | PL12USV

Washbasins & Washtroughs | Washtroughs



KWC-No.

360004024

with two wash places
Dimensions 1200 x 530 x 440 mm (W x H x D)

NEW

PLANOX washbasin unit with seamless welded trough, with two wash places, suitable for wall mounting, for connection to premixed hot water or cold water from the rear right or left. Stainless steel housing, satin finish, material thickness 1.5 mm. Centre waste, G 1/2 B flat perforated waste, including mounting material. Ready for connection, with mounted F3S self-closing bibtaps, hydraulically

controlled, piston-free design, self-closing, fully adjustable flow time, polished chromium-plated brass housing. Aerator with integrated flow rate controller 3.0 l/min.

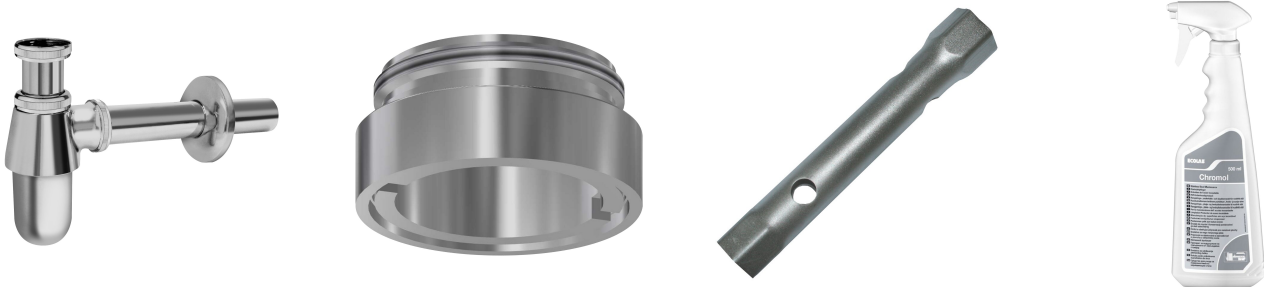
Dimensions 1200 x 530 x 440 mm (W x H x D)
Wash place width 600 mm

Technical Data

material
material code
number of waste holes
overall width
rear upstand
splash back
surface finish
type of mounting
type of waste kit
waste hole position
waste kit included

stainless steel
1.4301 Chrome Nickel steel V2A
1
1.200 mm
no
yes
satin finished
wall mounting
perforated waste
centre
yes

Optional Accessories



KWC PLANOX

Washbasin unit with self-closing bibtaps

Modell-Linie: PLANOX | PL12USV

Washbasins & Washtroughs | Washtroughs

Trap

2000101371
E-RNDX-SIPHON

Theft-proof housing for aerator

2000104778
ZTAPS0005

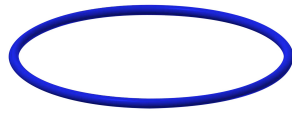
Hexagonal socket wrench

2000106127
ZFITG0003

Stainless steel care set

2000109019
ZWSPL0024

Spare Parts



O-Ring, red

2030042949
ASSV1002

O-Ring, blue

2030042950
ASSV1003

Functional part

2000104372
ETAPS0001

3.0 l/min. aerator

2030041424
ASXX1008



Cleaning product CHROMOL

2000105091
ZWSPL0023